



Office 1 - 65°

A family of fixtures designed to combine high energy saving with excellent light quality, to address diverse needs concerning both safety and maintenance. The fixture's design is extremely clean and functional. Manufactured in accordance with standards EN12464 for VDT

Housing: Vandal-resistant, V2 self-extinguishing, UV-stabilized, anti-yellowing polycarbonate.

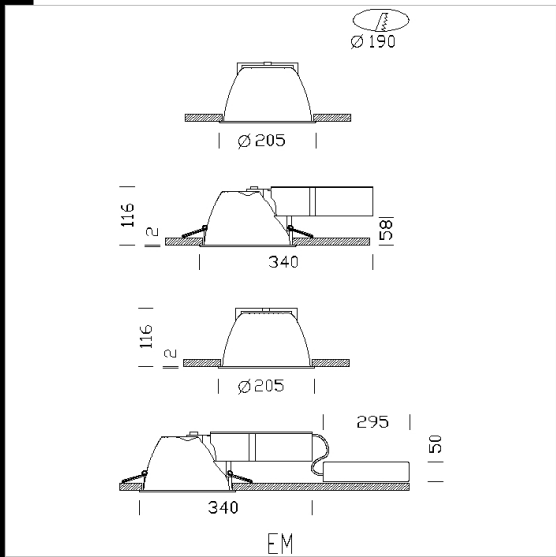
Reflector: V2 self-extinguishing polycarbonate; aluminium powder coated through a C.V.D. hard-vacuum process for greater light control and efficiency.

Lampholder: Polycarbonate with phosphor bronze contacts.

Electric gear: 230V/50Hz power supply. Hard wire, 0.50 sqmm cross section and heat-resistant (90°C) PVC-HT sheath, in accordance with CEI 20-20 standards. 2P terminal block (maximum allowed lead cross section 2.5 sqmm.)

Equipment: Electric accessories located on the side of the housing in a polycarbonate box with cooling slots. Includes stainless steel springs ensuring perfect adherence to 5 to 37 mm. thick false ceilings

Regulations: Manufactured in accordance with standards EN60598 – CEI 34 –21. Degree of protection in accordance with standards EN60529.



Download

DXF 2D
- office1.dxf

Montaggi
- 771520 service-office.pdf

Code	Gear	Kg	Watt	Base	Lamps	Colour
22151917-00	CELL	0,64	FLC 1x7S/E	G23	400lm-4000K-Ra 1b	WHITE
22151917-09	CELL-E	0,64	FLC 1x7S/E	G23	400lm-4000K-Ra 1b	WHITE
22151919-09	CELL-E	0,64	FLC 1x9S/E	2G7	600lm-4000K-Ra 1b	WHITE
22151913-00	CELL	0,70	FLC 1x26D/E	G24q-3	1800lm-4000K-Ra 1b	WHITE
22151911-09	CELL-E	0,60	FLC 1x18D/E	G24q-2	1200lm-4000K-Ra 1b	WHITE
22151919-00	CELL	0,50	FLC 1x9S/E	2G7	600lm-4000K-Ra 1b	WHITE
22151910-09	CELL-E	1,65	FLC 1x13D/E	G24q-1	900lm-3000K-Ra 1b	WHITE
22151911-00	CELL	0,65	FLC 1x18D/E	G24q-2	1200lm-4000K-Ra 1b	WHITE
22151910-00	CELL	0,60	FLC 1x13D/E	G24q-1	900lm-4000k-Ra 1b	WHITE

Accessori



- Diffuser - office 1



- Diffuser - office 1



- Silk-screen printed glass - office 1



- Diffuser - office 1



- Diffuser - office 1



- Diffuser - office 1