



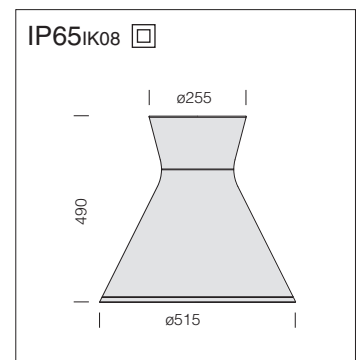
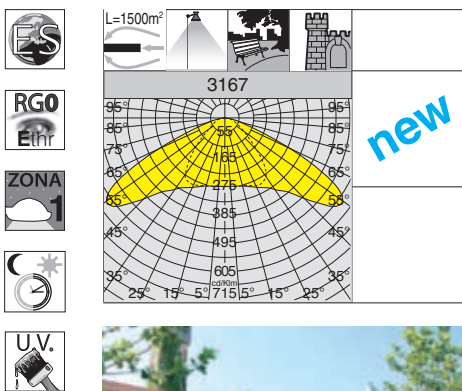
Housing/Frame: in die-cast aluminium, can be installed using acc. hook, rods or arms.

Diffuser: tempered glass, 5 mm thick, resistant to thermal shock and impacts.

Coating: In several stages. epoxy cationic electrocoating, resistant to corrosive and saline environments, UV stabilising priming; lastly a rough finish with frosted silver.

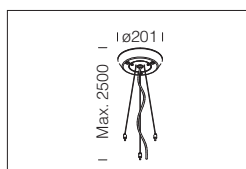
Standard supply: Safety diode to protect against voltage peaks compliant with EN 61547. With dedicated electronic device to protect the LED module.

LED: Power factor ≥ 0.9 . Luminous flux maintenance 80%: 80.000h (L80B20).

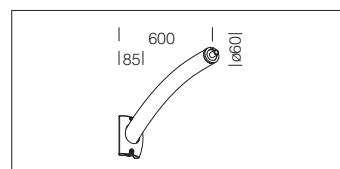


3167 Iride - direct light					
		CLD CELL		LED (T _j =25°C)	
wattage (350mA)	colour	weight	code	W	K - ølm 350mA - CRI
LED	s. silver	11,50	326571-00	40	4000K - 6690lm - CRI>70

On request: possibility to control each individual light point (see table on p. XVII).



acc. 380 suspension	
s. silver	326500-00
Die-cast aluminium. Supplied with three steel cable. To be used with direct/ indirect light fixtures..	



acc. 382 curved arm	
s. silver	326506-00
To be used with access. 300 for Iride installation.	

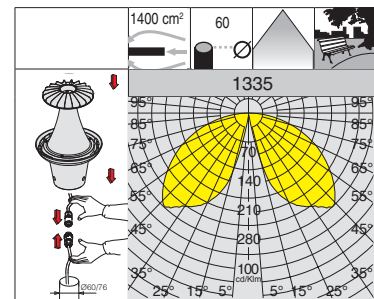
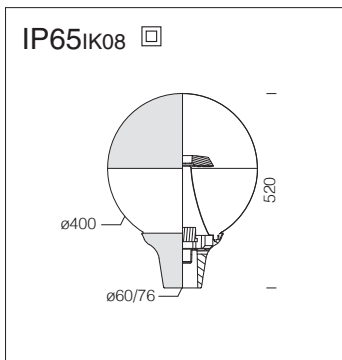
Base: in die-cast aluminium.

Globe: in shatterproof and self-extinguishing V2 polycarbonate, UV-stabilised and anti-yellowing. Excellent transparency for perfect light penetration.

Central cone: in black painted aluminium against light pollution.

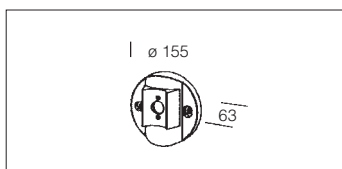
Equipment: Safety diode to protect against voltage peaks compliant with EN 61547. With dedicated electronic device to protect the LED module. Complete with plug-socket for quick installation.

LED: Power factor ≥ 0.9 .
Luminous flux maintenance 80%: 50.000h (L80B20).



-
-
-
-
-

1335 Globo - anti-light pollution					
		CLD CELL		LED (Tj=25°C)	
wattage (150mA)	colour	weight	code	W	K - ølm 150mA - CRI
LED	silver	4,50	425600-00	24	4000K - 2000lm - CRI 80



acc. 1361 wall mounting

s. silver	426987-00
-----------	-----------

Die-cast aluminium spacer and base. To install arms acc 1362.



acc. 1362 upward arm

1000 s. silver	426906-00
1500 s. silver	426907-00

Steel.

