



**Housing:** in die-cast aluminium.

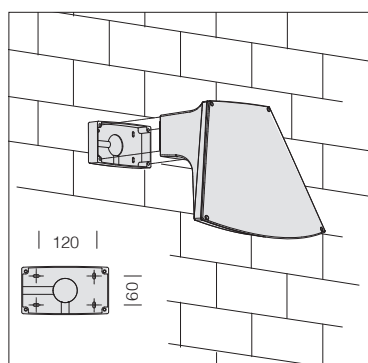
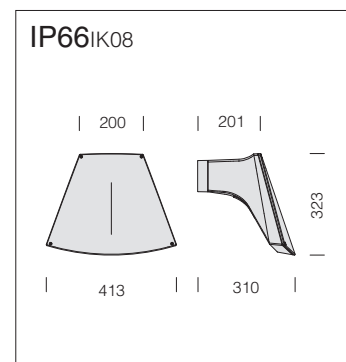
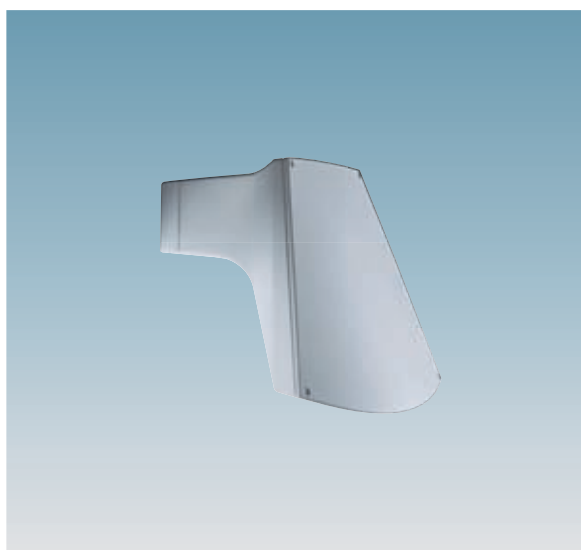
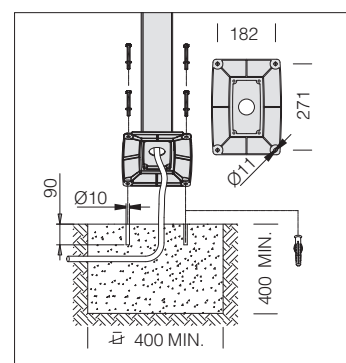
**Base:** in die-cast aluminium.

**Column:** in extruded aluminium.

**Diffuser:** in opal, V2 polycarbonate, shatterproof and self-extinguishing, UV-stabilised.

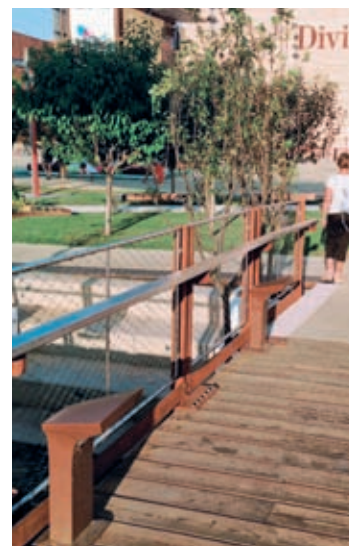
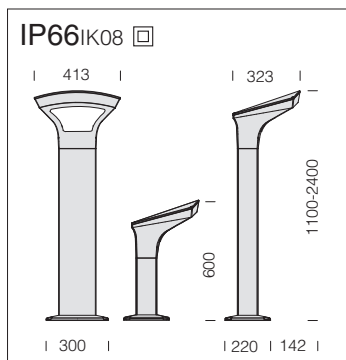
**Soating:** frame coating is done in several stages. The first stage consists of epoxy cationic electro-coating to improve resistance to corrosion and saline environments. The frame is then coated with eco-friendly, UV-stabilised acrylic resin finish.

**standard supply:** the column version is equipped with anchors and socket-plug connector for quick installation.



1841 Bitta 2 wall version					
		CLD CELL		W	LED (Tj=25°C)
wattage (110mA)	colour	weight	code		K - ølm 110mA - CRI
LED	s. silver	3,20	511440-00	10	4000K - 936lm - CRI 80
LED	graphite	3,20	511441-00		
LED	anthracite	3,20	511442-00		
LED	corten	3,20	511440-2191		

The wall version comes with mounting connection.



1840 Bitta 1						
wattage (110mA)	colour	CLD CELL			LED (Tj=25°C)	
		weight	code	h	W	K - ølm 110mA - CRI
LED	s. silver	6.20	511430-00	600	10	4000K - 936lm - CRI 80
LED	graphite	6.20	511432-00			
LED	anthracite	6.20	511433-00			
LED	corten	6.20	511430-2191			
LED	s. silver	8.20	511435-00	1100	10	4000K - 936lm - CRI 80
LED	graphite	8.20	511436-00			
LED	anthracite	8.20	511437-00			
LED	corten	8.20	511435-2191			



1849 Bitta 3						
wattage (350mA)	colour	CLD CELL			LED (Tj=25°C)	
		weight	code	h	W	K - ølm 350mA - CRI
LED	s. silver	13.00	511443-00	2400	24	4000K - 3120lm - CRI 80
LED	graphite	13.00	511444-00			
LED	anthracite	13.00	511445-00			
LED	corten	13.00	511443-2191			