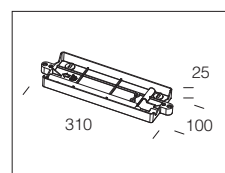
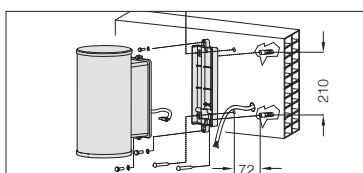


Housing: die-cast aluminium.
Diffuser: tempered glass, 4 mm thick, shock and heat resistant
Standard supply: Safety diode to protect against voltage peaks compliant with EN 61547. With dedicated electronic device to protect the LED module.

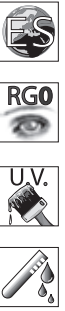
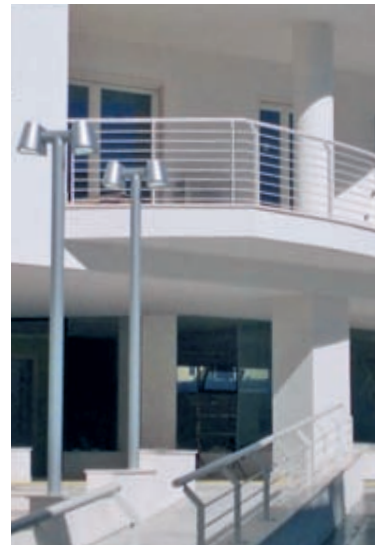
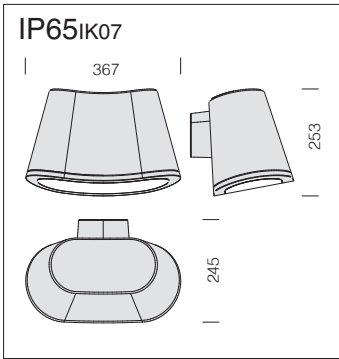
LED: Luminous flux maintenance 70%: 50.000h (L70B50). Power factor ≥0,9

		1293 Cilindro 4				
		CLD CELL		W	LED (Tp=25°C)	
wattage (700mA)	colour	weight	code		K - ølm 700mA - CRI	
LED COB	s. silver	6.90	420410-00	39	4000K - 3000+1700lm - FM+FM	CRI 90
LED COB	s. silver	6.90	420427-00		4000K - 3000+1700lm - FS+FM	CRI 90
LED COB AMBER	s. silver	6.90	420410-73	37	2200K - 1950+3700lm	FM+FM - AMBER

Standard version includes double switching.



acc. 401 wall mounting	
s. silver	420450-00
corten	420450-2191
For Cilindro.	



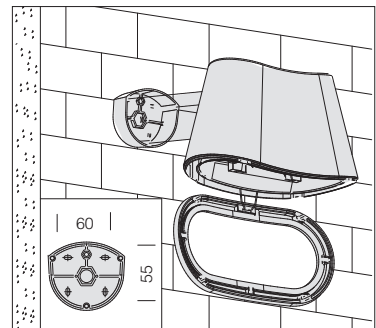
Housing/Frame: made of die-cast aluminium.

Diffuser: tempered glass, resistant to impact and thermal shock.

Equipment: supplied with plate.

1286 Twin					
		CLD CELL		W	LED (Tp=25°C)
wattage	colour	weight	code		K - ølm - CRI
LED	s. silver	5.00	421315-00	8	3000K - 1400lm - CRI 80
LED	graphite	5.00	421316-00		

LED: Luminous flux maintenance 70%: 50.000h (L70B20). Power factor ≥0,9



Accessories

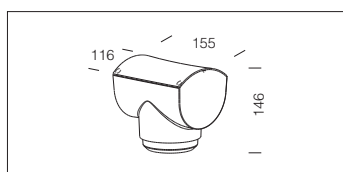
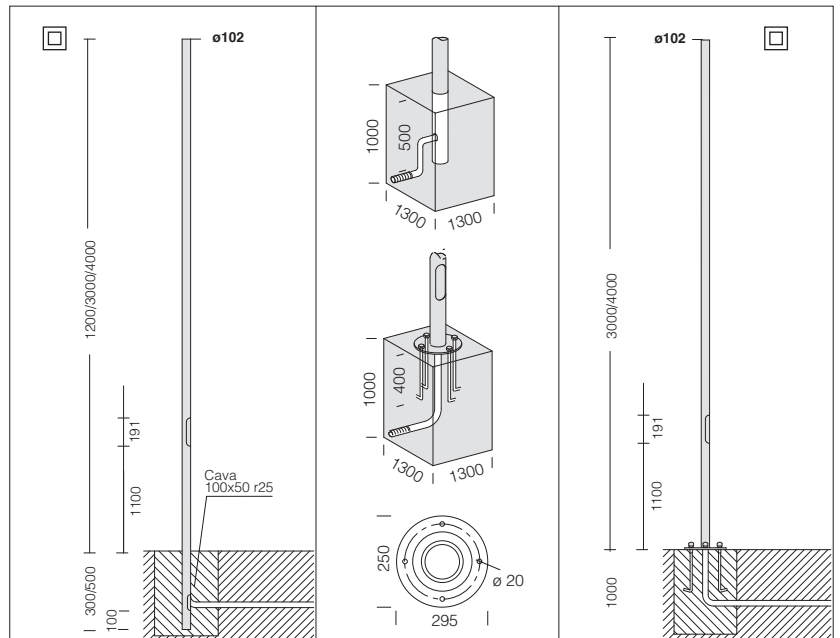
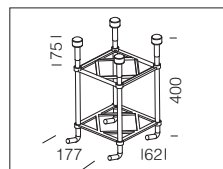
acc. 104 pole ø 102 to be buried		
hf.t + hint	colour	code
1200 + 300	s. silver	425310-00
3000 + 500	s. silver	425311-00
4000 + 500	s. silver	425312-00
1200 + 300	graphite	425314-00
3000 + 500	graphite	425315-00
4000 + 500	graphite	425316-00

Made of steel.

acc. 106 pole ø 102 with base		
hf.t + hint	colour	code
3000	s. silver	425341-00
4000	s. silver	425342-00
3000	graphite	425345-00
4000	graphite	425346-00

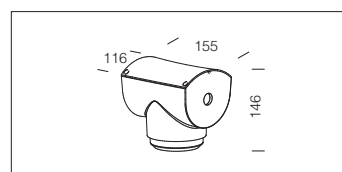
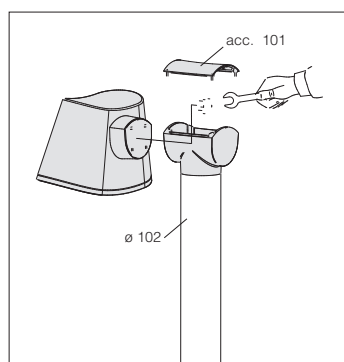
Made of steel.

acc. 299 log bolts
991396-00
Log bolts are to be always bought with the pole acc. 106.



acc. 101 Pole connection	
colour	code
s. silver	991202-00
graphite	991203-00

In die-cast aluminium. To be used with pole Ø102 for single installation.



acc. 102 Pole connection	
colour	code
s. silver	991204-00
graphite	991205-00

In die-cast aluminium. To be used with pole Ø102 for double installation.

