






Housing: in die-cast aluminium with cooling fins.

Diffuser: 4mm thick tempered glass, resistant to thermal shocks and impacts.

Coating: powder-coated with graphite grey polyester resin, resistant to corrosion and saline environments.

On request: with surface coating resistant to acetic acid salt spray tests pursuant to standard UNI EN ISO 9227 "Corrosion Tests in Artificial Atmosphere".

Equipment: complete with mounting bracket and graduated scale goniometer which allows for accurate pointing. Silicone rubber gasket; external screws and bolts in stainless steel. **On request,** with knife switch supplied to interrupt the line during maintenance.


 electronic safety device to protect the LED module and the related ballast compliant with EN 61547.

It works in two modes:

- differential mode: surge between power cables and between the phase and neutral.
- common mode: surge between power, L/N and ground cables or between the fixture's body if it is of class II and installed on a metal pole.

On request: protection up to 10KV.

 **Low Flicker:** product with a very low flicker; uniform light for greater eye protection.

 **RADAR SENSOR (sub-code -19):** is an automatic sensor that immediately sense the presence of people's movements and anyone walking past. When there is movement within the sensor's detection range, the light will remain ON. When no further movement is detected, the light will switch OFF after a pre-set time.

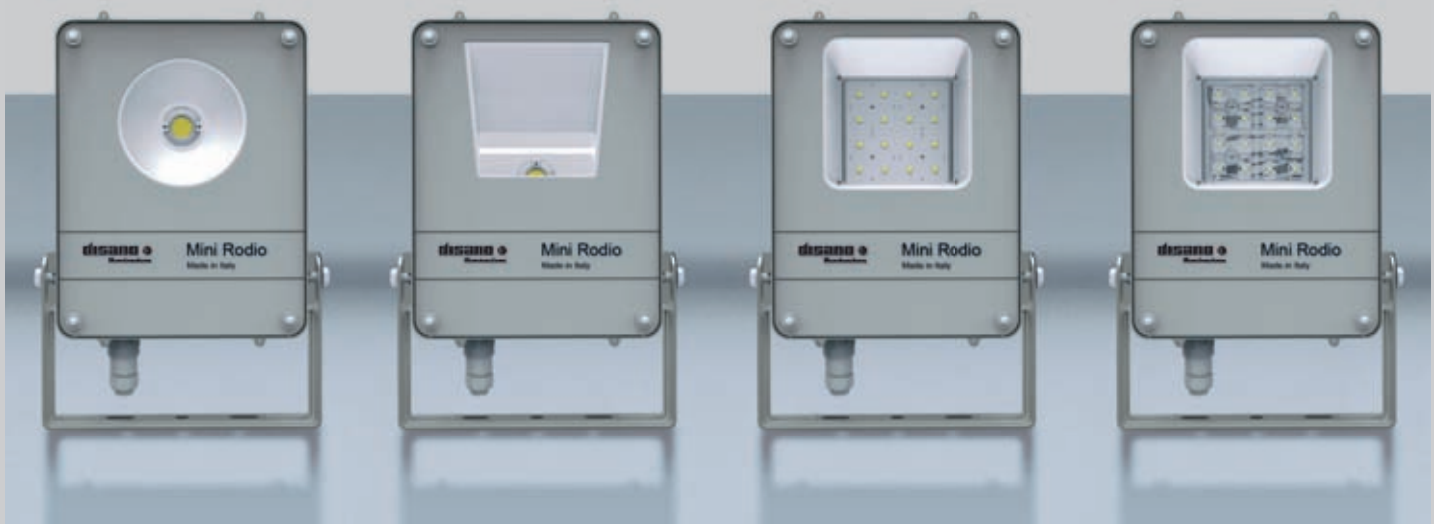
FLOODLIGHTS

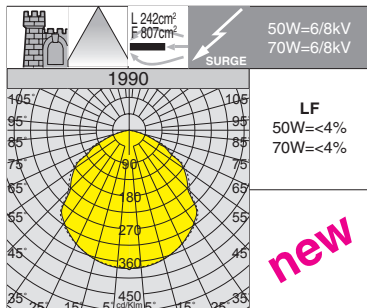


Precision optics that allow broad design flexibility guaranteeing high levels of light quality.

The fixture is equipped with air recirculation valve and insulation connector for quick installation with **no need to open the fixture.**

The fixture's design is configured to minimise wind exposure surfaces.

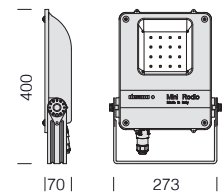




80.000h



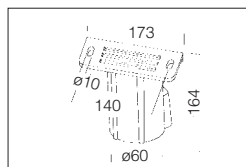
IP66IK08



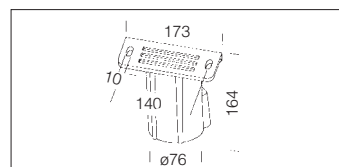
LED: Power factor: $\geq 0,9$.
Luminous flux maintenance 80%:
80.000h (L80B20).

1990 Mini Rodio - symmetric wide beam					
		CLD CELL		LED (Tj=25°C)	
wattage (530mA)	colour	weight	code	W	K - ølm 530mA - CRI
LED	graphite	4.50	414900-00	50	4000K - 7600lm - CRI 80
wattage (700mA)					K - ølm 700mA - CRI
LED	graphite	4.50	414901-00	70	4000K - 9430lm - CRI 80

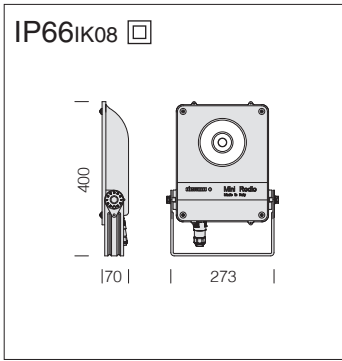
Equipement : avec connecteur rapide pour une installation rapide **sans besoin d'ouvrir l'appareil.**



acc. 333 ø60 pole mounting
graphite 997915-00
Made of aluminium. To be used to apply the fixture on a ø 60 pole.

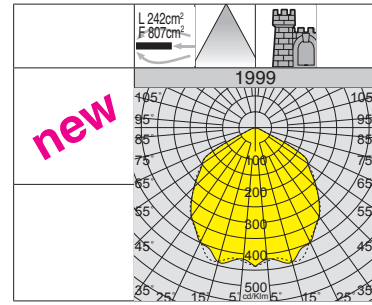


acc. 334 ø76 pole mounting
graphite 997916-00
Made of aluminium. To be used to apply the fixture on a ø 76 pole.



Reflector: in pressed 99.85 aluminium, anodically oxidized and polished.

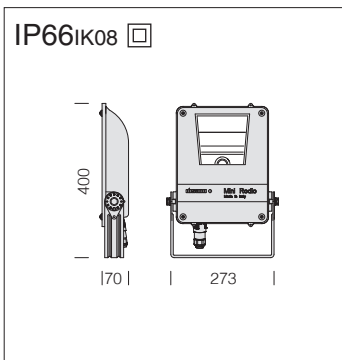
LED: Power factor: $\geq 0,9$.
Luminous flux maintenance 80%:
50.000h (L80B20).



-
-
-
-
-
-
-
-
-
-

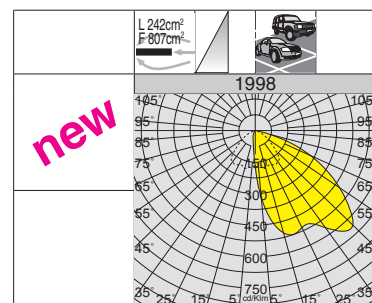
1999 Mini Rodio - COB symmetric					
wattage	colour	CLD CELL		W	LED (Tp=25°C)
		peso	code		K - ølm - CRI
LED COB	graphite	4.50	414840-00	45	4000K - 6550lm - CRI 80
LED COB	graphite	4.50	414840-39		3000K - 6220lm - CRI 80
LED COB	graphite	4.50	414841-00	50	4000K - 7465lm - CRI 80
LED COB	graphite	4.50	414841-39		3000K - 7100lm - CRI 80
LED COB	graphite	4.50	414842-00	65	4000K - 9515lm - CRI 80
LED COB	graphite	4.50	414842-39		3000K - 9050lm - CRI 80

Equipment: complete with insulation connector for quick installation with **no need to open the fixture.**



Reflector: in high-grade 99,99 aluminium with PVD treatment.

LED: Power factor: $\geq 0,9$.
Luminous flux maintenance 80%:
50.000h (L80B20).



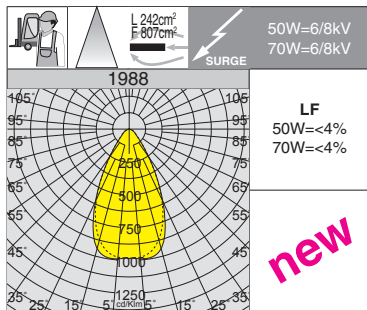
-
-
-
-
-
-
-
-
-
-

1998 Mini Rodio - COB asymmetric					
wattage	colour	CLD CELL		W	LED (Tp=25°C)
		peso	code		K - ølm - CRI
LED COB	graphite	4.50	414850-00	45	4000K - 6550lm - CRI 80
LED COB	graphite	4.50	414850-39		3000K - 6220lm - CRI 80
LED COB	graphite	4.50	414851-00	50	4000K - 7465lm - CRI 80
LED COB	graphite	4.50	414851-39		3000K - 7100lm - CRI 80
LED COB	graphite	4.50	414852-00	65	4000K - 9515lm - CRI 80
LED COB	graphite	4.50	414852-39		3000K - 9050lm - CRI 80

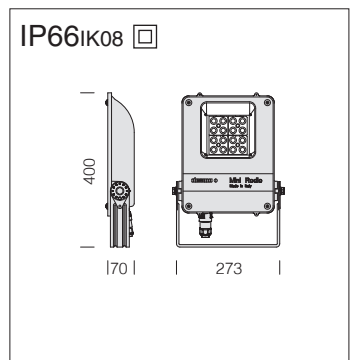
Equipment: complete with insulation connector for quick installation with **no need to open the fixture.**



-
-
-
-
-
-
-
-
-



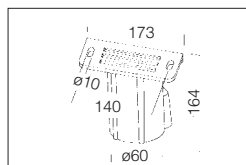
80.000h



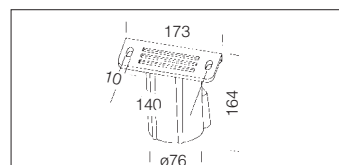
Optics: in high efficiency PMMA.
LED: Power factor: $\geq 0,9$.
 Luminous flux maintenance 80%: 80.000h (L80B20).

1988 Mini Rodio - asymmetric narrow beam				
		CLD CELL		LED (Tj=25°C)
wattage (530mA)	colour	weight	code	W
LED	graphite	4.50	414930-00	50
wattage (700mA)				
LED	graphite	4.50	414931-00	70

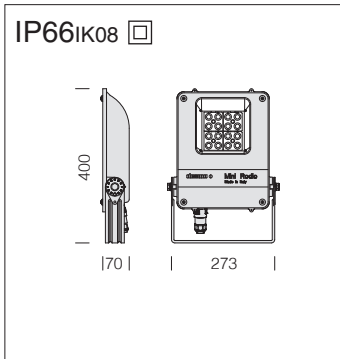
Equipment: complete with insulation connector for quick installation with **no need to open the fixture.**



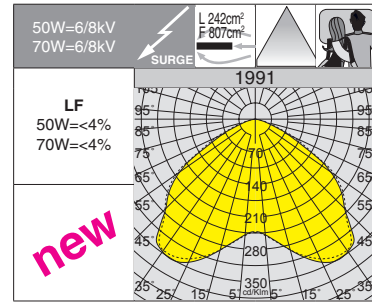
acc. 333 ø60 pole mounting
 graphite 997915-00
 Made of aluminium. To be used to apply the fixture on a ø 60 pole.



acc. 334 ø76 pole mounting
 graphite 997916-00
 Made of aluminium. To be used to apply the fixture on a ø 76 pole.

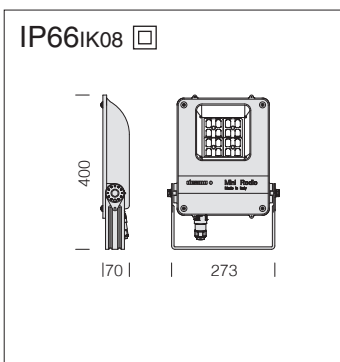


Optics: in high efficiency PMMA.
LED: Power factor: $\geq 0,9$.
 Luminous flux maintenance 80%:
 80.000h (L80B20).

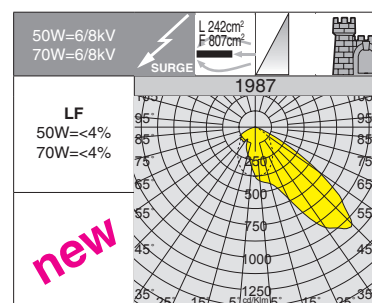


1991 Mini Rodio - symmetric wide beam					
		CLD CELL		W	LED (Tj=25°C)
wattage (530mA)	colour	weight	code		K - ø1m 530mA - CRI
LED	graphite	4.50	414940-00	50	4000K - 7600lm - CRI 80
wattage (700mA)					K - ø1m 700mA - CRI
LED	graphite	4.50	414941-00	70	4000K - 9430lm - CRI 80

Equipment: complete with insulation connector for quick installation with **no need to open the fixture.**



Optics: in high efficiency PMMA.
LED: Power factor: $\geq 0,9$.
 Luminous flux maintenance 80%:
 80.000h (L80B20).



1987 Mini Rodio - asymmetric					
		CLD CELL		W	LED (Tj=25°C)
wattage (530mA)	colour	weight	code		K - ø1m 530mA - CRI
LED	graphite	4.50	414910-00	50	4000K - 7600lm - CRI 80
wattage (700mA)					K - ø1m 700mA - CRI
LED	graphite	4.50	414911-00	70	4000K - 9430lm - CRI 80

Equipment: complete with insulation connector for quick installation with **no need to open the fixture.**