
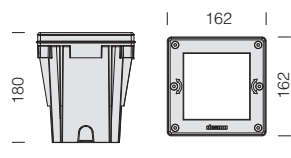


1822

On request: different colour version.


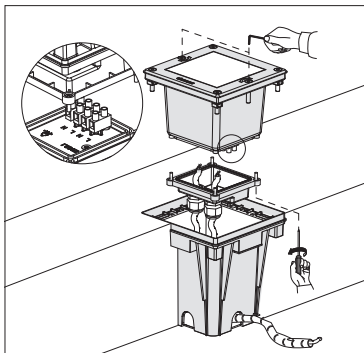
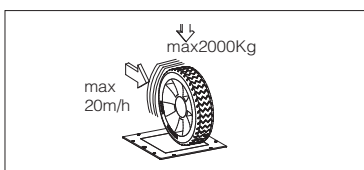



IP67IK09

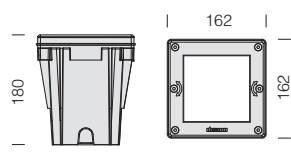


**Housing:** made of nylon.  
**Frame:** in AISI 304 stainless steel.  
**Outer casing:** nylon outer casing.  
**Diffuser:** tempered glass, 12mm thick, resistant to thermal shock, and mechanical stress up to 2000 Kg.

		CLD CELL		temperature and load				LED (Tj=25°C)		
wattage (24V)	colour	weight	code	T. max on glass		max load	can be walked on	can bear vehicle loads	W	K - ølm 24V - CRI
				ta 25°	ta 15°					
LED	inox	1.70	530420-00	30°	20°	2000	OK	OK	3	4000K - 135lm - CRI 80


IP67IK09



**LED:** Luminous flux maintenance 80% 50.000h (L80B20).

		CLD CELL		temperature and load				LED (Tj=25°C)		
wattage (300mA)	colour	weight	code	T. max on glass		max load	can be walked on	can bear vehicle loads	W	K - ølm 300mA - CRI
				ta 25°	ta 15°					
LED COB	inox	1.70	530425-00	40°	30°	2000	OK	OK	11	4000K - 1400lm - CRI 90

**Housing:** in die-cast aluminium with silver powder coating.

**Frame:** AISI 304 stainless steel.

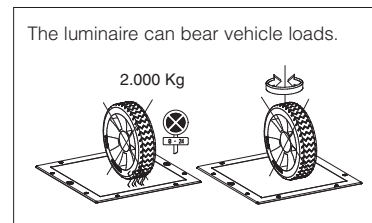
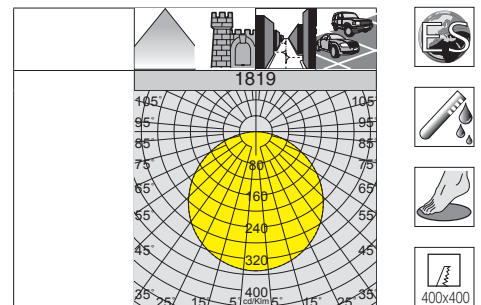
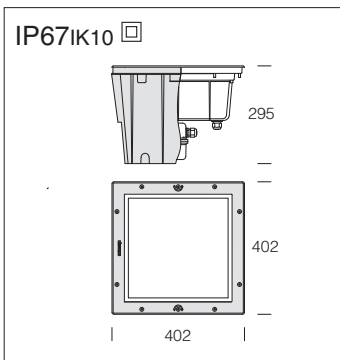
**Outer casing:** nylon outer casing and terminal block. Separate wiring to reduce thermal shock on the components and to simplify the installation.

**Diffuser:** internal tempered glass, 5 mm thick, resistant to thermal shock. External tempered glass, 15 mm thick, resistant to thermal shock and mechanical stress up to 2000 Kg (non-slip version available upon request).

**Standard supply:** silicone rubber gaskets.



RESIDENTIAL AMENITIES



1819 Quadro di luce										
		CLD CELL		temperature and load				LED (Tj=25°C)		
wattage (116mA)	colour	weight	code	T. max on glass		max load	can be walked on	can bear vehicle loads	W	K - ølm 116mA - CRI
				ta 25°	ta 15°					
<b>LED</b>	Inox	13.00	530990-00	30°	20°	2000	OK	OK	<b>26</b>	4000K - 2448lm - CRI 80

Best suited for installation as lighted floor.