

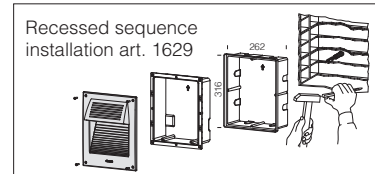
**Housing:** in fibreglass nylon, UV stabilized.

**Front frame:** in die-cast aluminium.

**Diffuser:** in 4 mm thick tempered glass, resistant to impact and thermal shock.

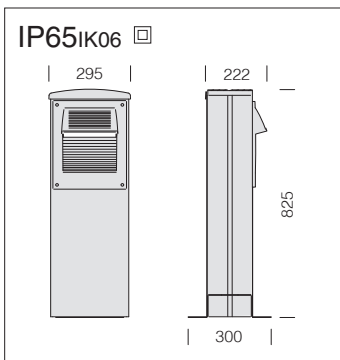
**Coating:** in several stages. Stage one: epoxy cationic electrocoating, resistant to corrosion and saline environments. Stage two: UV stabilising priming and silver acrylic coating.

**Equipment:** electric gear on removable gear tray for easy maintenance. IP68 quick connector for rapid connection to the line.

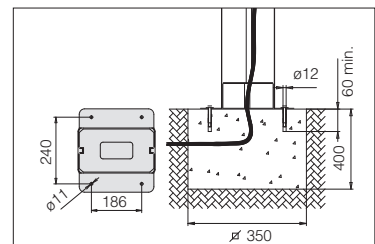


1624 Fonte - wall version (1)					
		CLD CELL		LED (Tj=25°C)	
wattage (116mA)	colour	weight	code	W	K - ølm 116mA - CRI
LED	s. silver	2.20	431745-00	4,5	4000K - 480lm - CRI≥80
LED	corten	2.20	431745-2191		

1629 Fonte - recessed (2)					
		CLD CELL		LED (Tj=25°C)	
wattage (116mA)	colour	weight	code	W	K - ølm 116mA - CRI
LED	s. silver	2.20	431752-00	4,5	4000K - 480lm - CRI≥80
LED	corten	2.20	431752-2191		



**Column:** in galvanized steel with fibreglass nylon cover and sandblasted silver coating.



1636 Fonte - single-lamp column					
		CLD CELL		LED (Tj=25°C)	
wattage	colour	weight	code	W	K - ølm - CRI
LED	s. silver	10.60	431762-00	4,5	4000K - 480lm - CRI≥80
LED	corten	10.60	431762-2191		

