

Housing/Chassis: in die-cast aluminium.

Frame: in AISI 316L stainless steel.

Outer shell: in black nylon reinforced fibreglass.

Reflector: fixed and revolving with max. 0/+15° graduated brackets, in metalized polycarbonate.

Diffuser: 15 mm tempered glass, resistant to thermal shocks, impacts and static load.

Coating: bottom with epoxy powder and polyester powder.

Equipment: silicone rubber seal and screws in anti-grip stainless steel.

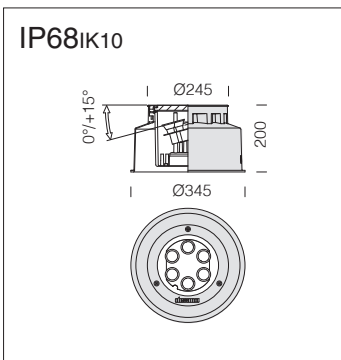
Installation: the fixture was designed for the installation on the ground with an outer shell where it can be rotated by 30° step angle.

LED: Luminous flux maintenance 80% 50.000h (L80B20). Power factor ≥ 0.95 .

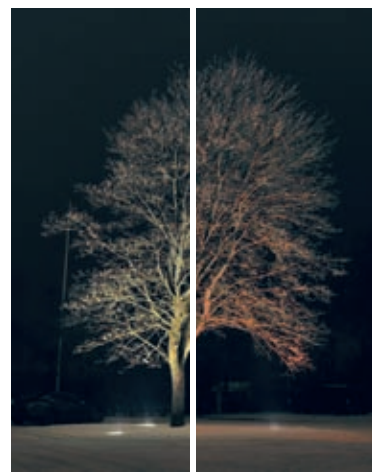


DOP Controller	
986563-00	
Is a powerful one-button DMX controller that lets you set dim level, colour and show for LED drivers and DMX compatible luminaires.	
<ul style="list-style-type: none"> • USITT DMX512A compatible • One-button on-off/dimming/colour/show control • Operating supply voltage range: 12V-32V DC • DIP switches for configuration, accessible after mounting • External switch interface allows remote show selection • All settings saved to memory when light is switched off or when a power glitch occurs • Front indicator LED for local show (speed), colour and dim level feedback 	

IP65 box for DMX control	
white	986557-00
DMX controller with internal memory IP 65 VERSION (stand-alone function). It enables to operate DMX interfaces and integrated DMX controlled lighting fixtures. Option to save settings internally. PC connection through USB port during the programming phase using a dedicated software (included in the kit).	



DMX/RDM inside



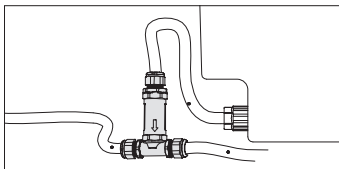
-
-
-
-
-
-

On request: stand-alone programming.

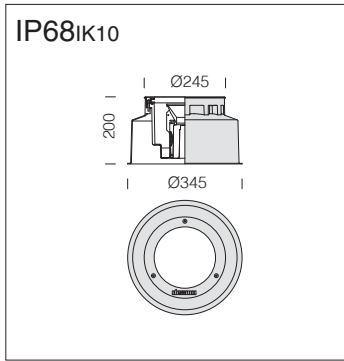
1689 Floor - adjustable - LED RGBW DMX/RMD									
		CLD CELL		temperature and load				LED	
wattage	colour	weight	code	T. max on glass		max load kg	can be walked on	can bear vehicle loads	degrees
				ta 25°	ta 15°				
LED RGBW	s. steel	4.50	530540-00	40°	30°	4000	OK	OK	RGB (W=4000K) - 23°

acc. 399 - Conn. for continuous line
993837-00

Connector for solid line to be used with acc 369 for continuous lines. For Floor range.

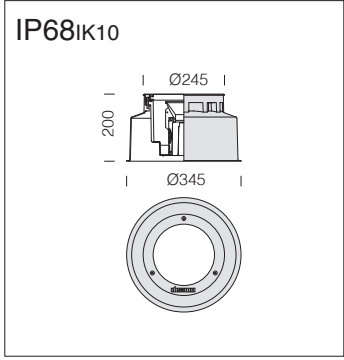


new

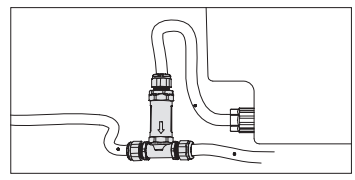


		1685 Floor - fixed - FS								
		CLD CELL		temperature and load				LED (Tp=25°C)		
wattage (700mA)	colour	weight	code	T. max on glass		max load kg	can be walked on	can bear vehicle loads	W	K - ølm 700mA - degrees - CRI
				ta 25°	ta 15°					
LED COB	s. steel	4.40	530407-00	50°	40°	4000	OK	OK	23	4000K - 3000lm - 10° - CRI 90
wattage (500mA)										K - ølm 500mA - degrees - CRI
LED COB AMBER	s. steel	4.40	530407-73	50°	40°	4000	OK	OK	17	2200K - 2700lm - 10° - AMBER

new

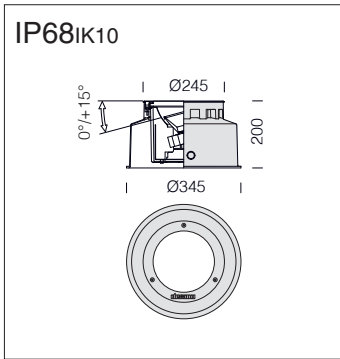


		1686 Floor - fixed - FL								
		CLD CELL		temperature and load				LED (Tp=25°C)		
wattage (700mA)	colour	weight	code	T. max on glass		max load kg	can be walked on	can bear vehicle loads	W	K - ølm 700mA - degrees - CRI
				ta 25°	ta 15°					
LED COB	s. steel	4.40	530417-00	50°	40°	4000	OK	OK	23	4000K - 3000lm - 62° - CRI 90
wattage (500mA)										K - ølm 500mA - degrees - CRI
LED COB AMBER	s. steel	4.40	530417-73	50°	40°	4000	OK	OK	17	2200K - 2700lm - 62° - AMBER



acc. 399 - Conn. for continuous line
993837-00

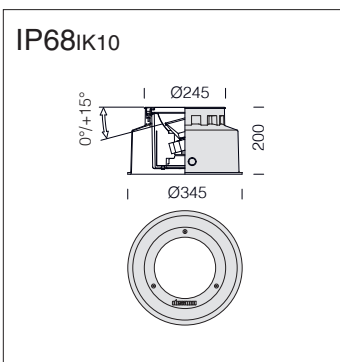
Connector for solid line to be used with acc 369 for continuous lines. For Floor range.



new

-
-
-
-
-
- 2200K**
- 4000K**

1687 Floor - adjustable - FS										
		CLD CELL		temperature and load				LED (Tp=25°C)		
wattage (700mA)	colour	weight	code	T. max on glass		max load kg	can be walked on	can bear vehicle loads	W	K - ølm 700mA - degrees - CRI
				ta 25°	ta 15°					
LED COB	s. steel	4.40	530427-00	50°	40°	4000	OK	OK	23	4000K - 3000lm - 10° - CRI 90
wattage (500mA)										K - ølm 500mA - degrees - CRI
LED COB AMBER	s. steel	4.40	530427-73	50°	40°	4000	OK	OK	17	2200K - 2700lm - 10° - AMBER



new

-
-
-
-
-
- 2200K**
- 4000K**

1688 Floor - adjustable - FL										
		CLD CELL		temperature and load				LED (Tp=25°C)		
wattage (700mA)	colour	weight	code	T. max on glass		max load kg	can be walked on	can bear vehicle loads	W	K - ølm 700mA - degrees - CRI
				ta 25°	ta 15°					
LED COB	s. steel	4.40	530437-00	50°	40°	4000	OK	OK	23	4000K - 3000lm - 62° - CRI 90
wattage (500mA)										K - ølm 500mA - degrees - CRI
LED COB AMBER	s. steel	4.40	530437-73	50°	40°	4000	OK	OK	17	2200K - 2700lm - 62° - AMBER

