







**Housing and cover:** in die-cast aluminium and designed with a very small surface exposed to wind. Cooling fins are integrated into the cover.

**Pole connection:** in die-cast aluminium and with gaskets to secure the frame according to different inclinations. Adjustable ranges: between 0° and 15° for side mount; and between 0° and 10° for mast-top mounting. Inclination pace: 5°. Suited for poles with a diameter 63-60mm

**Diffuser:** clear, tempered glass, 4 mm thick, resistant to thermal shock and impacts (UNI-EN 12150-1 : 2001)

**Coating:** polyester resin for powder coating, resistant to corrosion and saline environments.

**Standard supply:** Automatic temperature control inside the device with automatic resetting. Safety diode to protect against voltage peaks compliant with EN 61547. With dedicated electronic device to protect the LED module.

**Equipment:** complete with IP67 airtight connector for mains connection. Supplied with double insulation switch that cuts off electricity when the cover is opened.

**Energy-saving:** the possibility to choose the correct drive current for LEDs will allow you to have the right power under specific design conditions, and also help you deal with maintenance and retrofitting problems. Using a lower current will improve the efficiency of fixtures and therefore increase energy savings, whilst a higher current will result in a higher light flux so that you can reduce the number of fixtures.

**Photometric performance:** designed with an optical system capable of controlling the potential glare created by the growing light intensity of LEDs while achieving high photometric performance. This allows the application in street lighting schemes where there is a significant distance between the poles. In these cases, greater light control is reached with the optics equipped with auxiliary lens.

**Optical system:** the modularity of the optical system, the solutions used for the electronic circuit design and the optimal control of operating temperatures, make the Stelvio line a highly professional, flexible and reliable product, capable of guaranteeing huge application advantages in several situations

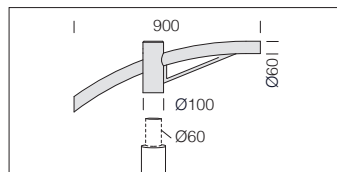
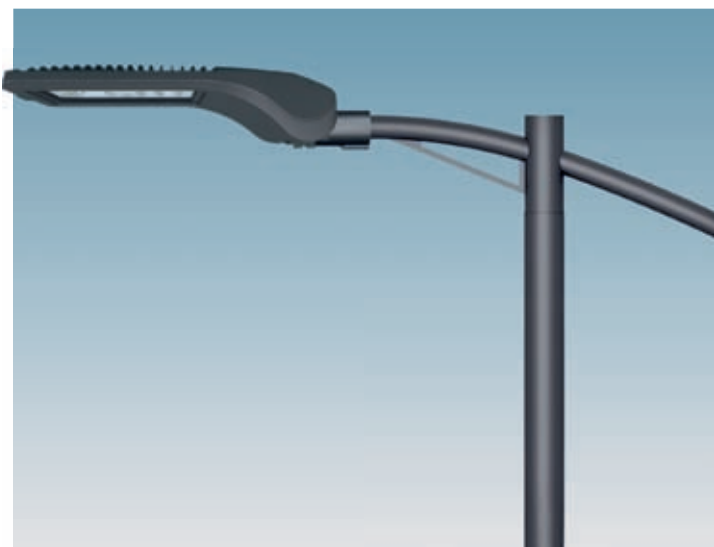
**What is a smart city?**

A smart city is a city where there is a better quality of life and where public spaces can help citizens achieve their full potential and move more freely, while saving time and respecting the environment. The intelligence of a «Smart City» is a distributed, shared, horizontal and social intelligence. It is an intelligence that promotes the participation of citizens and the organization of the city towards a greater optimization of resources and results. Energy consumption, public resource use and time are all optimized. With the Web and the new technologies, access to services is easier and public spaces can be organized to favour mobility, save time and turn our cities smarter. Remote management systems make objects more intelligent and recognizable, so that they can communicate data and provide access to aggregated information. Thanks to a more efficient use of the Web, everything within a city (urban fittings, public buildings, monuments, etc.) can play an active role and become collectors and distributors of information about traffic, energy consumption, services and assistance to citizens, cultural and touristic attractions and much more.

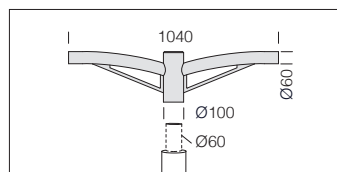
**Heat sink:** the heat dissipation system is specially designed and made to allow the operation of the LED lights with temperatures ensuring excellent performance/efficiency and durability.

Table for the various options for managing the supply point

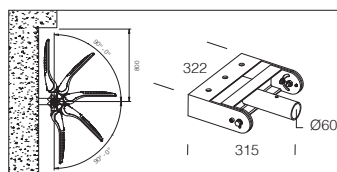
1-10V dimming	Virtual midnight	PLC remote control	Wi-Fi remote control (to be agreed upon)
Adjustment range from 10%-100% with 1-10V	Stand alone system with reduction of luminous flux and surge protector 6/10 KV	Point-to-point and system management and diagnosis system	Point-to-point and system management and diagnosis system with Wi-Fi system
Ordered with sub-code -12	Ordered with sub-code -30	Ordered with sub-code -0078	on request



<b>acc. 504 single arm</b>	
anthrac.	991264-00
Suited for poles with a diameter 60mm.	

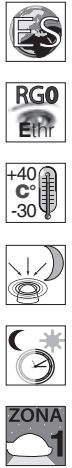
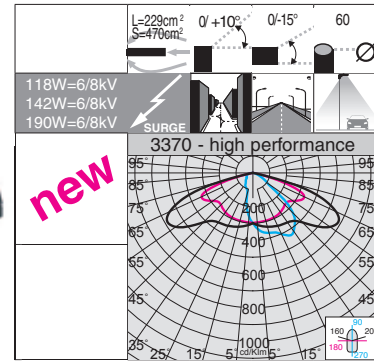
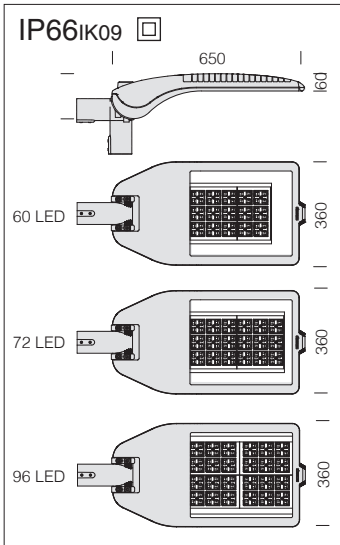


<b>acc. 508 double arm</b>	
anthrac.	991265-00
Suited for poles with a diameter 60mm.	



<b>acc. 578 adjustable bracket</b>	
anthrac.	997709-00
Adjustable bracket for wall mounting or for use on the towers.	





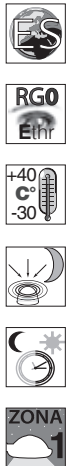
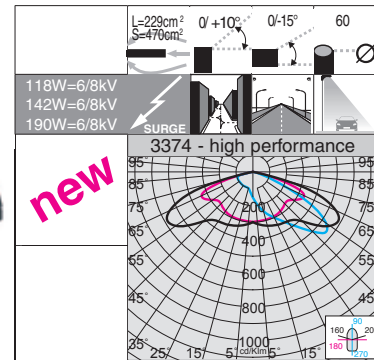
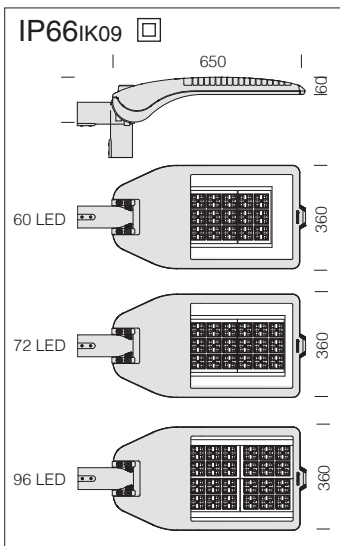
**Optics:** in PMMA, highly resistant to temperature and UV radiation.

**LED:** Power factor  $\geq 0.9$ .  
Luminous flux maintenance 80%:  
50.000h (L80B20).

**3370 Stelvio - high performance**

		CLD CELL			LED (Tj=85°C)	
wattage	colour	weight	code	W	K - $\phi$ lm - CRI	
<b>LED</b>	anthracite	7.60	340250-00	<b>118</b>	4000K - <b>20400lm</b>	- CRI $\geq$ 70
<b>LED</b>	anthracite	8.00	340251-00	<b>142</b>	4000K - <b>24480lm</b>	- CRI $\geq$ 70
<b>LED</b>	anthracite	8.10	340252-00	<b>190</b>	4000K - <b>32640lm</b>	- CRI $\geq$ 70

**On request:** possibility to control each individual light point (see table on p. 131).



**Optics:** in PMMA, highly resistant to temperature and UV radiation.

**LED:** Power factor  $\geq 0.9$ .  
Luminous flux maintenance 80%:  
50.000h (L80B20).

**3374 Stelvio - high performance - large areas**

		CLD CELL			LED (Tj=85°C)	
wattage	colour	weight	code	W	K - $\phi$ lm - CRI	
<b>LED</b>	anthracite	7.60	340260-00	<b>118</b>	4000K - <b>20400lm</b>	- CRI $\geq$ 70
<b>LED</b>	anthracite	8.00	340261-00	<b>142</b>	4000K - <b>24480lm</b>	- CRI $\geq$ 70
<b>LED</b>	anthracite	8.10	340262-00	<b>190</b>	4000K - <b>32640lm</b>	- CRI $\geq$ 70

**On request:** possibility to control each individual light point (see table on p. 131).



L=228cm<sup>2</sup>  
S=470cm<sup>2</sup>

0°+10° 0°-15° 60

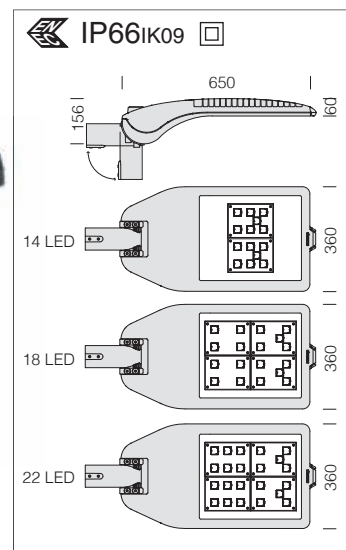
109W=6/8kV  
141W=6/8kV  
172W=6/8kV

SURGE

+40  
C°  
-30

new

3274



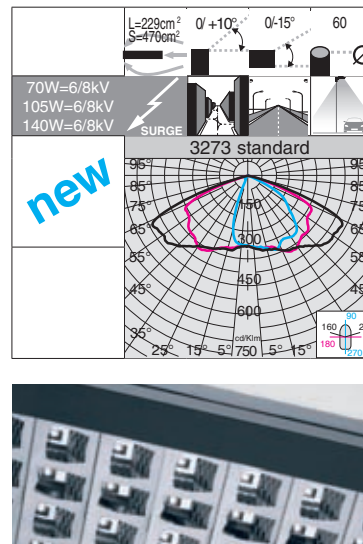
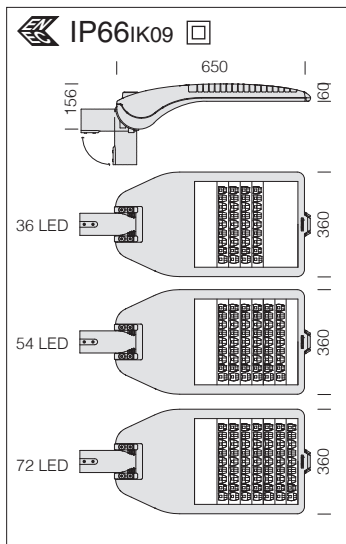
3274 - Stelvio 2 plus - LED asymmetric					
		CLD CELL		LED (T <sub>j</sub> =85°C)	
wattage (700mA)	colour	weight	code	W	K - ølm 700mA- CRI
LED	anthrac.	11.30	320360-00	109	4000K - <b>16240lm</b> - CRI≥70
LED	anthrac.	11.40	320361-00	141	4000K - <b>20880lm</b> - CRI≥70
LED	anthrac.	12.80	320363-00	172	4000K - <b>25520lm</b> - CRI≥70

**On request:** possibility to control each individual light point (see table on p. 131).

**Optics:** in PMMA, highly resistant to temperature and UV radiation. Flow recovery in V2 polycarbonate.

**LED:** Power factor ≥0.9.  
Luminous flux maintenance 80%: 80.000h (L80B10).

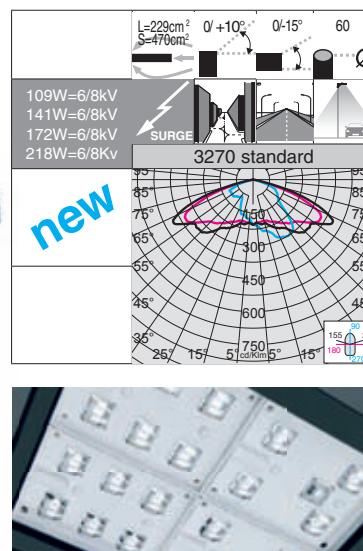
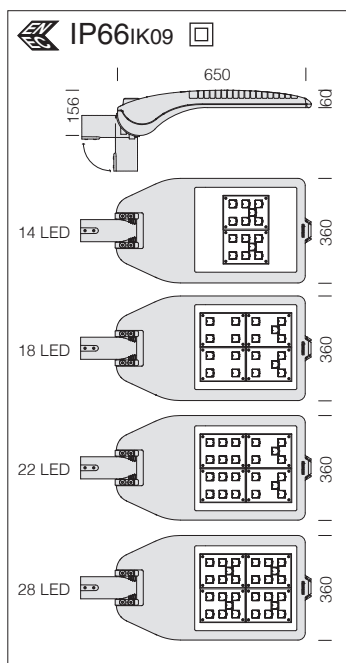
	Power supply	n.LED	W	ølm
On request	350mA	14	53	8930lm
		18	69	11480lm
		22	84	14040lm
On request	530mA	14	83	12180lm
		18	106	15660lm
		22	128	19140lm



**Optics:** V0 polycarbonate with micro-faceted finish. Flow recovery in V2 polycarbonate.

**LED:** Power factor  $\geq 0.9$ .  
Luminous flux maintenance 70%: 80.000h (L70B20).

3273 - Stelvio 1 plus S						
		CLD CELL		CLD CTL bipower system		LED (Tj=25°C)
wattage (700mA)	colour	weight	code	code	W	K - ølm 700mA - CRI
LED	anthracite	10.00	330344-00	330344-30	70	4000K - <b>10990lm</b> - CRI>70
LED	anthracite	11.00	330345-00	330345-30	105	4000K - <b>16460lm</b> - CRI>70
LED	anthracite	12.00	330347-00	330347-30	140	4000K - <b>21980lm</b> - CRI>70



**Optics:** in PMMA, highly resistant to temperature and UV radiation. Flow recovery in V2 polycarbonate.

**LED:** Power factor  $\geq 0.9$ .  
Luminous flux maintenance 80%: 80.000h (L80B10).

3270 - Stelvio 1 plus						
		CLD CELL		CLD CELL bipower system		LED (Tj=85°C)
wattage (700mA)	colour	weight	code	code	W	K - ølm 700mA - CRI
LED	anthracite	10.50	330342-00	330342-30	109	4000K - <b>16240lm</b> - CRI $\geq$ 70
LED	anthracite	11.00	330348-00	330348-30	141	4000K - <b>20880lm</b> - CRI $\geq$ 70
LED	anthracite	13.00	330343-00	330343-30	172	4000K - <b>25520lm</b> - CRI $\geq$ 70
LED	anthracite	13.00	330349-00	330349-30	218	4000K - <b>32480lm</b> - CRI $\geq$ 70

**On request:** possibility to control each individual light point (see table on p. 131).

	Power supply	n.LED	W	ølm
On request	350mA	14	53	8930lm
		18	69	11480lm
		22	84	14040lm
		28	107	17860lm
On request	530mA	14	83	12180lm
		18	106	15660lm
		22	128	19140lm
		28	166	24360lm

