



**Housing/Frame:** in die-cast aluminium with latch.

**Diffuser:** tempered glass, 4 mm thick, resistant to thermal shock and impact (UNI En 12150-1/2001).

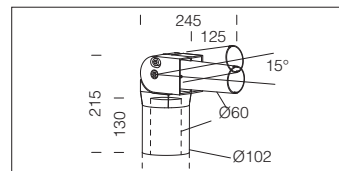
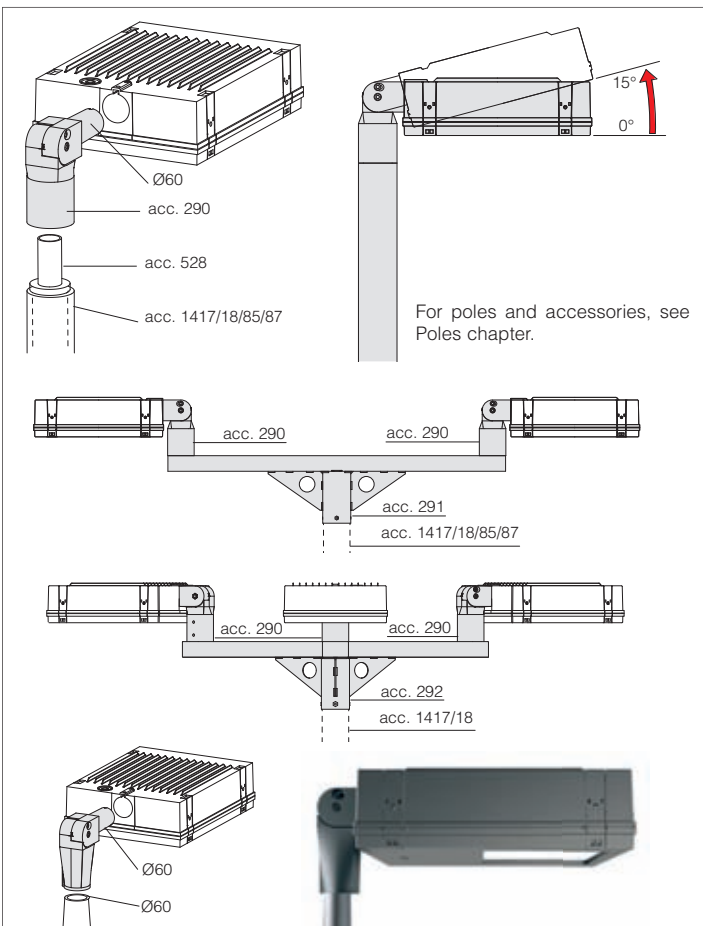
**Optics:** in PMMA, highly resistant to temperature and UV radiation

**Coating:** multi-stage process. Stage 1: grey epoxy cationic electrocoating, resistant to corrosion and saline environments. Stage 2: UV-stabilising priming. Stage 3: gray graphite acrylic finishing.

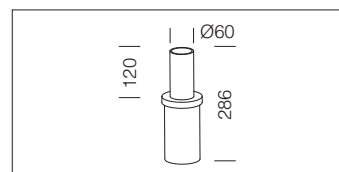
**Equipment:** automatic temperature control device. In the event of an unexpected temperature rise caused by particular weather conditions or LED malfunctioning, the system will reduce the drive current as the LED gets warmer, reducing the lamp's operating temperature and guaranteeing proper operation. Supplied with a safety diode to protect against peak loads.

**LED:** Power factor  $\geq 0.9$ . Luminous flux maintenance 80%: 80.000h (L80B20).

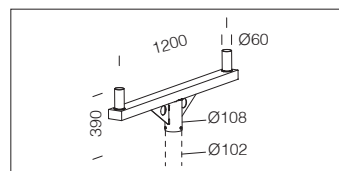
Accessories Pordoi



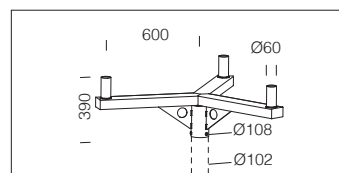
acc. 290 joint	
graphite	991442-00
Always use for application with poles with acc. 1417/18 (see section on "Poles")	



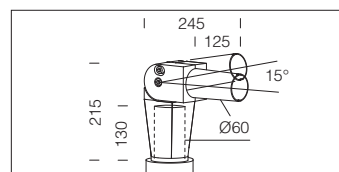
acc. 528 mast-top connection	
graphite	991463-00
In steel. To be used as a mast-top connection	



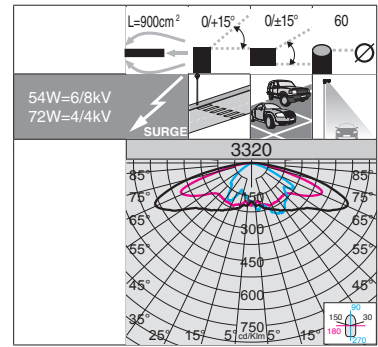
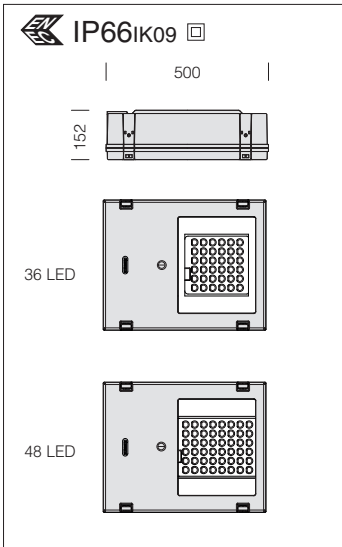
acc. 291 dual arm	
graphite	991444-00
Always use with 2 acc. 290 for mounting on dual arm. We recommend using poles acc. 1417/18/85/87 (see section on "Poles")	



acc. 292 triple arm	
graphite	991446-00
Always use with 3 acc. 290 for mounting on triple arm. We recommend using poles acc. 1485/1487 (see section on "Poles")	

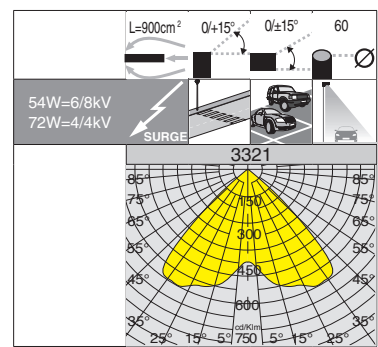
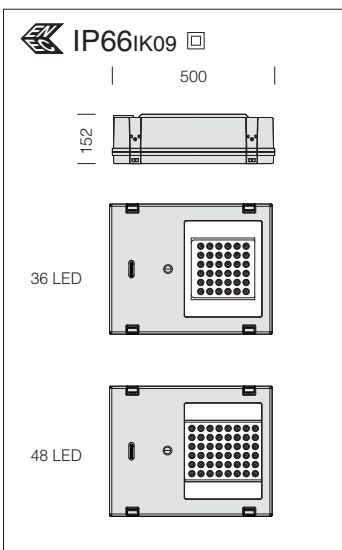


acc. 290 joint	
graphite	991439-00
To be used for installation on poles with Ø60.	



3320 - Pordoi 4 - street lighting					
		CLD CELL		LED (Tj=25°C)	
wattage (530mA)	colour	weight	code	W	K - ølm 530mA - CRI
LED	graphite	10.00	328150-00	54	4000K - 8390lm - CRI>70
LED	graphite	10.00	328151-00	72	4000K - 11180lm - CRI>70

**On request:** possibility to control each individual light point (see table on p. XVII).



3321 - Pordoi 5 - wide beam					
		CLD CELL		LED (Tj=25°C)	
wattage (530mA)	colour	weight	code	W	K - ølm 530mA - CRI
LED	graphite	10.00	328160-00	54	4000K - 8390lm - CRI>70
LED	graphite	10.00	328161-00	72	4000K - 11180lm - CRI>70

**On request:** possibility to control each individual light point (see table on p. XVII).

