



Housing: in die-cast aluminium.

Cover: in die-cast aluminium, tool-free hinge opening. With sealing latches and stainless steel safety device against accidental closure.

Diffuser: tempered glass, 5 mm thick, resistant to thermal shock and impacts (UNI EN 12150-1:2001 tests).

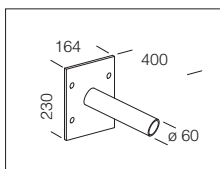
Optics: in PMMA, highly resistant to temperature and UV radiation.

Equipment: automatic temperature control device. In the event of an unexpected temperature rise caused by particular weather conditions or LED malfunctioning, the system will reduce the drive current as the LED gets warmer, reducing the lamp's operating temperature and guaranteeing proper operation.

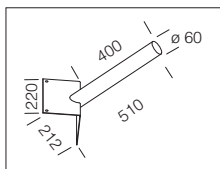
Electronic safety device to protect the LED module and the related ballast compliant with EN 61547. With dedicated electronic device to protect the LED module. Swivelling socket with protractor on the housing; it can be adjusted by loosening the bolts without taking the entire device apart. Supplied with quick IP67 connector.

On request: possibility to control each individual light point (see table on p. XVII).

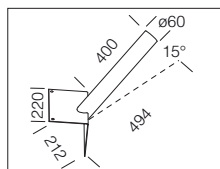
Accessories Mini Brera1 and Brera1



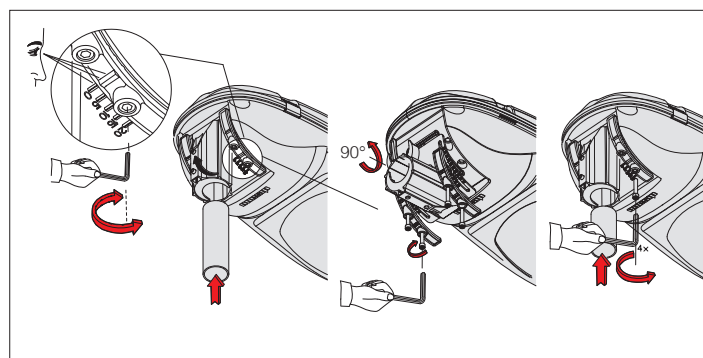
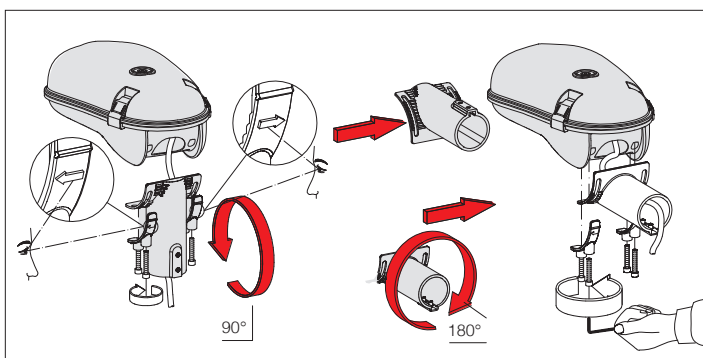
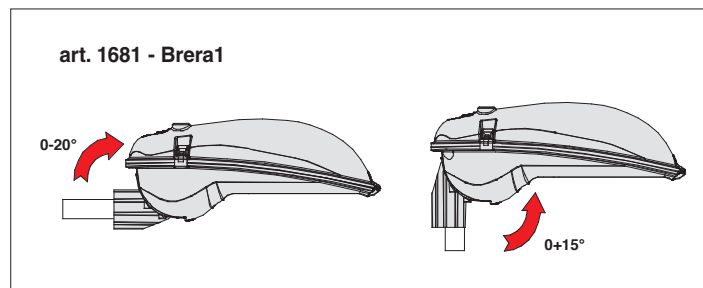
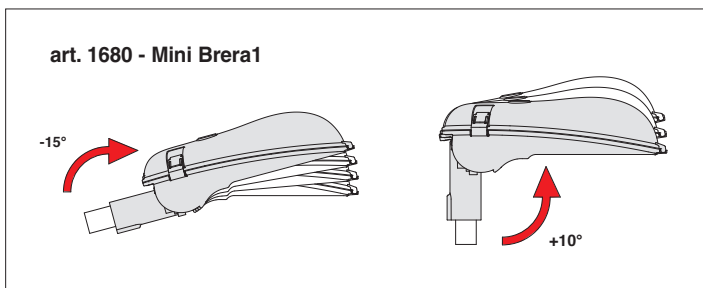
acc. 248
wall bracket
1.30 997708-00
In grey steel. For wall mounting. Connection Ø 60.

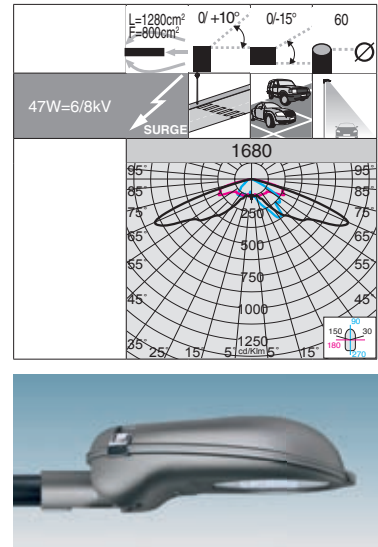
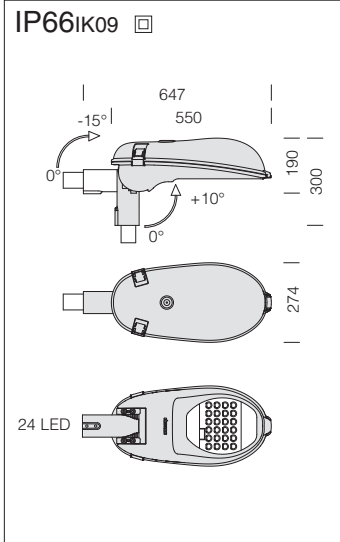


acc. 249
corner bracket
1.90 997803-00
In grey steel. For wall corner mounting. Connection Ø 60.



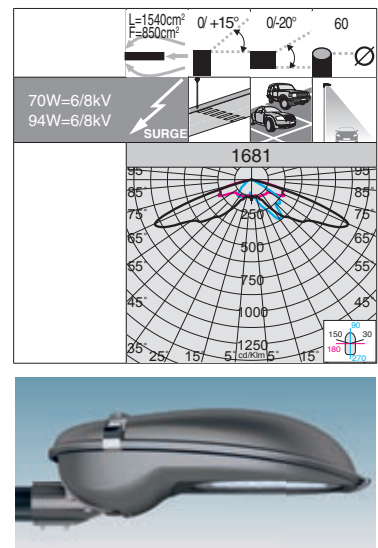
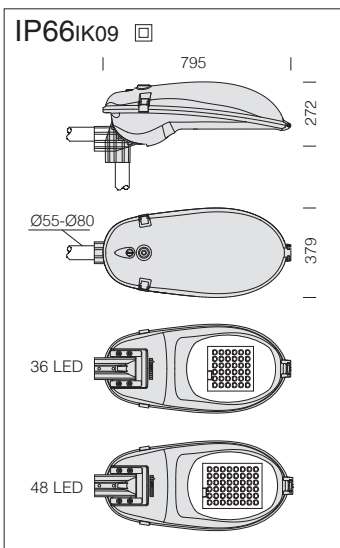
acc. 49
corner bracket
1.90 997802-00
In grey steel. For wall corner mounting. Connection Ø 60. Angle 15°.





LED: Power factor ≥ 0.9 .
Luminous flux maintenance 80%:
80.000h (L80B20).

1680 - Mini Brera 1					
		CLD CELL		LED (Tj=25°C)	
wattage (700mA)	colour	weight	code	W	K - ϕ lm 700mA - CRI
LED	graphite	5.40	325350-00	47	4000K - 7080lm - CRI>70



LED: Power factor ≥ 0.9 .
Luminous flux maintenance 70%:
60.000h (L70B20).

1681 - Brera 1					
		CLD CELL		LED (Tp=85°C)	
wattage (700mA)	colour	weight	code	W	K - ϕ lm 700mA - CRI
LED	graphite	12.70	325370-00	70	4000K - 10620lm - CRI>70
LED	graphite	13.00	325371-00	94	4000K - 14160lm - CRI>70