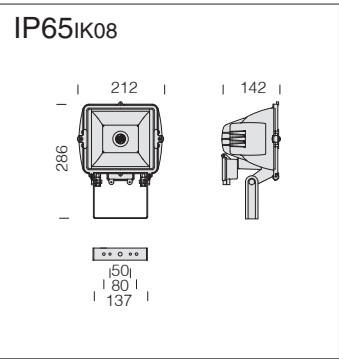


S=283 cm
L=416 cm
ZONA
SURGE
30W=1/2kV



Housing: in die-cast aluminium.
Reflector: in high-grade 99,99 hammered aluminium with PVD treatment.

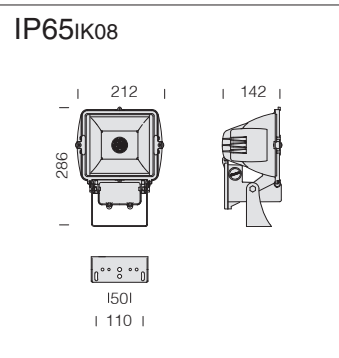
Diffuser: tempered glass, resistant to impact and thermal shock.

Standard Supply: complete with galvanised and coated bracket; with electronic safety device to protect the LED module and the related ballast compliant with EN 61547.

LED: Luminous flux maintenance 70%: 50.000h (L70B50). Power factor ≥ 0.9 .

1130 Punto					
		CLD CELL		LED (Tp=55°C)	
wattage (230V)	colour	weight	code	W	K - ϕ lm - CRI
LED COB	graphite	1.80	413748-00	30	4000K - 3100lm - CRI ≥ 80
LED COB	s. silver	1.80	413749-00		

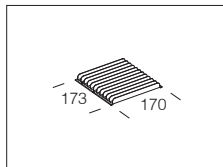
S=283 cm
L=416 cm
ZONA
SURGE
25W=1/2kV
37W=1/2kV



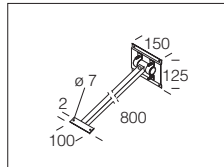
LED: Luminous flux maintenance 80%: 50.000h (L80B20). Power factor ≥ 0.9 .

1131 Punto					
		CLD CELL		LED (Tp=25°C)	
wattage/W	colour	weight	code	W	K - ϕ lm - CRI
LED COB	s. silver	1.80	413751-00	25	4000K - 3000lm - CRI 90
LED COB	graphite	1.80	413750-00		
LED COB	s. silver	1.80	413753-00	37	4000K - 4700lm - CRI 90
LED COB	graphite	1.80	413752-00		

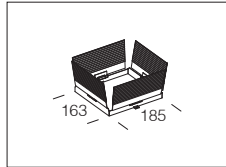
acc. 1134 louvre
 black | 413605-00
 Made of steel. To reduce glare effect and improve light control. Made of powder-coated steel.

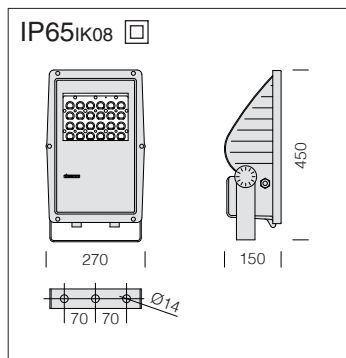


acc. 41 arm
 graphite | 995506-00
 s. silver | 995507-00
 Adjustable-angle arm galvanized steel.



acc. 1133 shutter
 black | 413604-00
 Made of powder-coated steel. To direct the light beam.





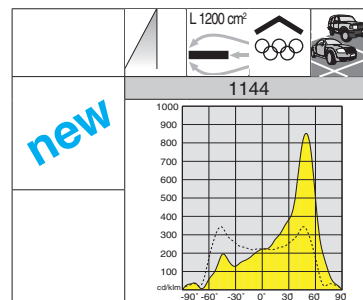
Housing/Frame: in die-cast aluminium, with cooling fins.

Diffuser: in tempered glass, 5 mm thick, resistant to thermal shock and impacts.

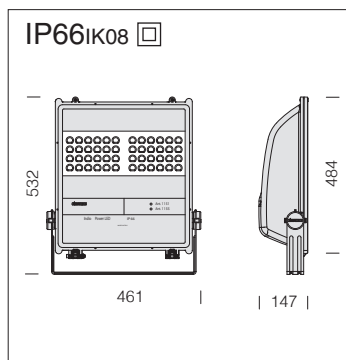
Optics: in PMMA, highly resistant to temperature and UV radiation.

Standard Supply: complete with galvanised and coated bracket.

LED: Luminous flux maintenance 80% 80.000h (L80B20). Power factor ≥ 0.9 .



1144 Litio - asymmetric					
		CLD CELL		W	LED (Tj=25°C)
wattage (700mA)	colour	weight	code		K - ølm 700mA - CRI
LED	graphite	4.90	313369-00	47	4000K - 7330lm - CRI \geq 70



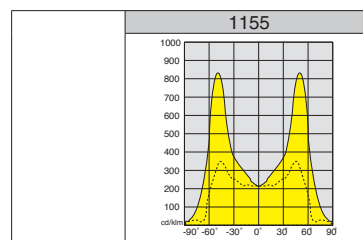
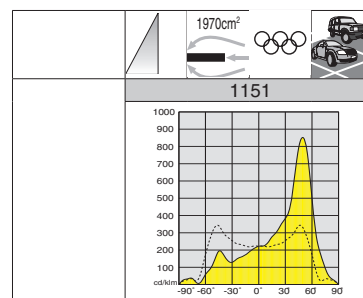
Housing/Frame: in die-cast aluminium, with cooling fins.

Diffuser: in tempered glass, 5 mm thick, resistant to thermal shock and impacts.

Optics: in PMMA, highly resistant to temperature and UV radiation.

Standard Supply: complete with galvanised and coated bracket.

LED: Luminous flux maintenance 80% 80.000h (L80B20). Power factor ≥ 0.9 .



1151 Indio - asymmetric					
		CLD CELL		W	LED (Tj=25°C)
wattage (700mA)	colour	weight	code		K - ølm 700mA - CRI
LED	graphite	9.40	413821-00	94	4000K - 14160lm - CRI \geq 70

1155 Indio - symmetric					
		CLD CELL		W	LED (Tj=25°C)
wattage (700mA)	colour	weight	code		K - ølm 700mA - CRI
LED	graphite	9.40	413822-00	94	4000K - 14160lm - CRI \geq 70

