



Housing/Frame: in die-cast aluminium.

Diffuser: tempered glass, 5 mm thick, resistant to thermal shock and impacts.

Coating: in several stages. The first stage includes an epoxy cationic electro coating, resistant to corrosion and saline environments. Then it is coated with a sand-blasted silver, eco-friendly, UV-stabilized acrylic resin.

Standard supply: temperature control inside the device with automatic resetting.

Supplied with double insulation switch. Complete with quick connection (art. 3178, 3197).

LED: Power factor ≥ 0.9 .
Luminous flux maintenance 80%: 80.000h (L80B20).

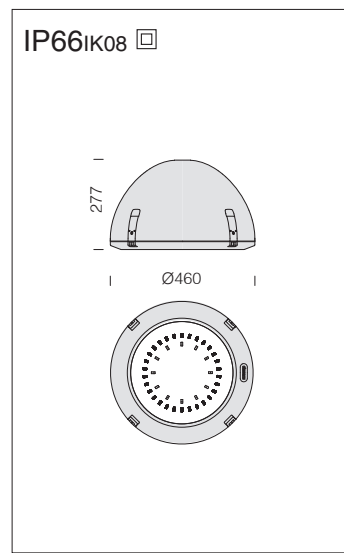
L=1030cm²

3175

+40
C°
-30

U.V.

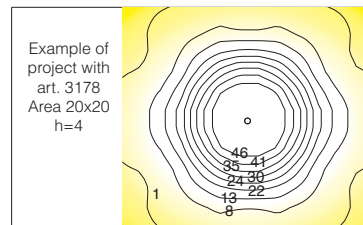
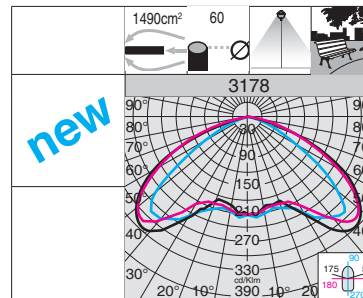
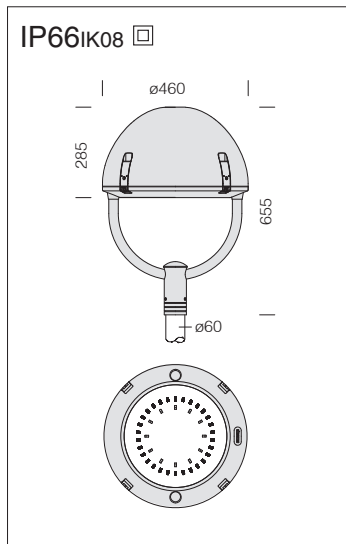
new



3175 Montecarlo - with elliptic lenses					
		CLD CELL		LED (T _j =25°C)	
wattage (350mA)	colour	weight	code	W	K - ølm 350mA - CRI
LED	silv. + graph.	8.00	326580-00	40	4000K - 6960lm - CRI>70

N.B.: the lighting fixtures already supplied with holes for the installation of acc. 55 and for the power supply cable should be ordered with sub-code -0089. Ordered separately acc. 55.
On request: possibility to control each individual light point (see table on p. XVII).

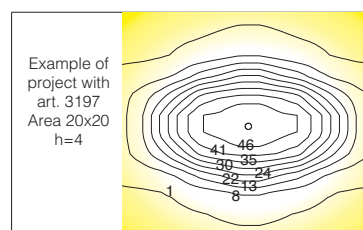
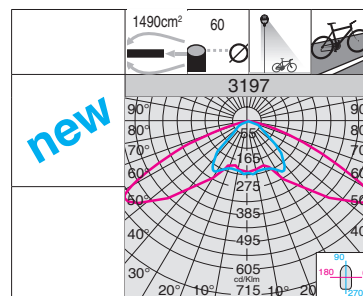
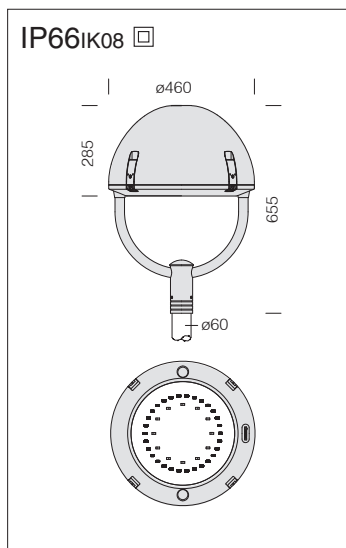
	Power supply	n.LED	W	ølm
On request	530mA	42	63	10120lm



3178 Montecarlo with bracket - wide beam with elliptical lenses					
		CLD CELL		LED (Tj=25°C)	
wattage (350mA)	colour	weight	code	W	K - ølm 350mA - CRI
LED	silv.+ graph.	10.00	326760-00	40	4000K - 6960lm - CRI>70

On request: possibility to control each individual light point (see table on p. XVII).

	Power supply	n.LED	W	ølm
On request	530mA	42	63	10120lm



3197 Montecarlo with bracket - cycleways					
		CLD CELL		LED (Tj=25°C)	
wattage (350mA)	colour	weight	code	W	K - ølm 350mA - CRI
LED	silv.+ graph.	10.00	326750-00	40	4000K - 6960lm - CRI>70

On request: possibility to control each individual light point (see table on p. XVII).

	Power supply	n.LED	W	ølm
On request	530mA	42	63	10120lm

