



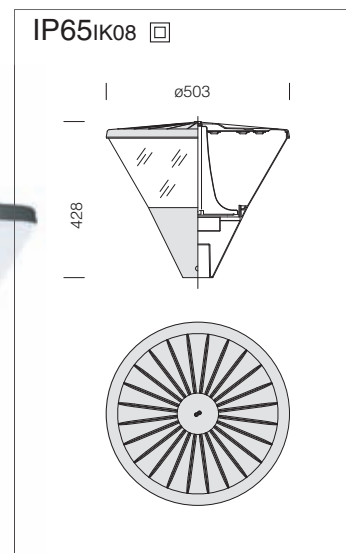
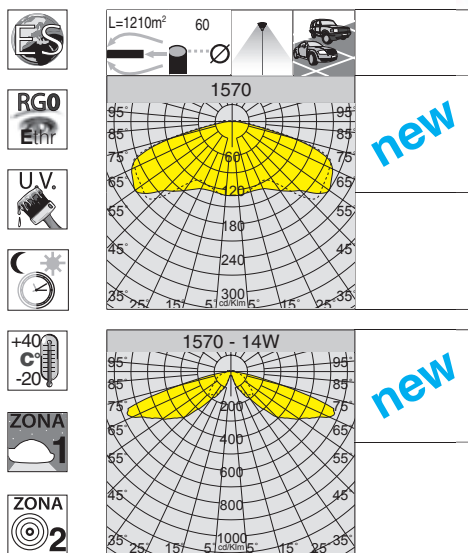
Housing/ Cover: made of die-cast aluminium.

Cover art. 1517/1518: made of aluminium plate.

Diffuser: in vandal-resistant V2 self-extinguishing polycarbonate, UV-stabilized.

Coating: in several stages. First stage: black epoxy cationic electro-coating, resistant to corrosive and saline environments. Second stage: UV-stabilizing priming, and lastly rough finish with colour graphite or silver acrylic coating.

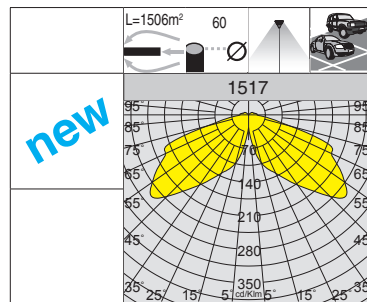
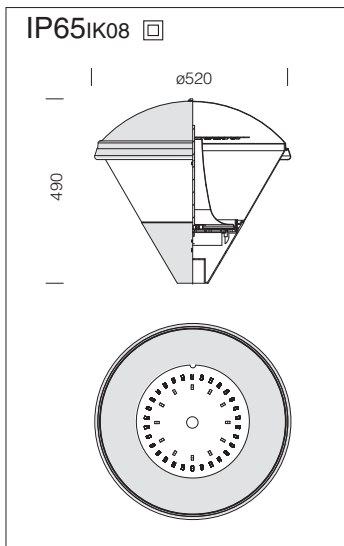
Equipment: automatic temperature control inside the device with automatic resetting. Complete with quick-connector for connection to the line.



1570 Clima					
		CLD CELL		W	LED (Tj=85°C)
wattage (700mA)	colour	weight	code	94	K - ølm 700mA - CRI
LED	s. silver	5.90	422400-00		
LED	graphite	5.90	422401-00		
LED	s. silver	5.90	422400-0016		
LED	graphite	5.90	422401-0016		4000K - 13920lm - CRI>70
On request: 350mA powered version - 45W - 7660lm; possibility to control each individual light point (see table on p. XVII).					

LED: Power factor ≥ 0.9 .
Luminous flux maintenance 70%:
80.000h (L70B20).

1570 Clima					
		CLD CELL		W	LED (Tj=85°C)
potenza (350mA)	colour	weight	code	14	K - ølm 350mA - CRI
LED	s. silver	5.90	422403-00		
LED	graphite	5.90	422404-00		
On request: possibility to control each individual light point (see table on p. XVII). Recommended for poles up to 2 metres tall.					



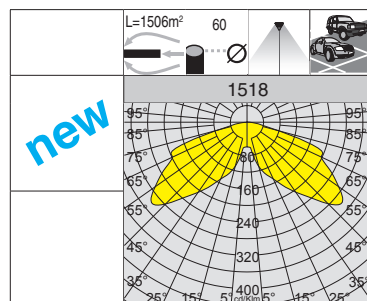
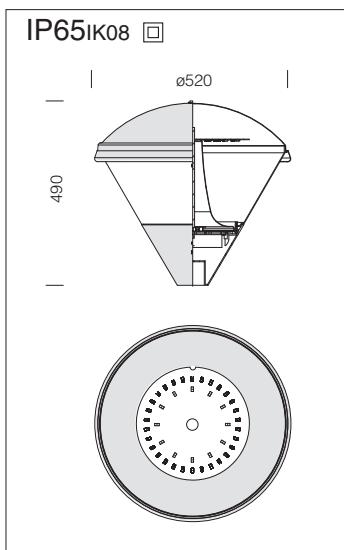
Equipment: temperature control device. In the event of an unexpected LED temperature rise caused by particular weather conditions or a LED failure, the system will reduce the luminous flux to lower the working temperature and guarantee proper operation.



LED: Clima LED is equipped with 30/42 latest generation LED modules with 130°x70° degrees lens to obtain an elevated lighting yield. Power factor ≥ 0.9 . Luminous flux maintenance 80%: 80.000h (L80B20).

1517 Clima					
		CLD CELL		W	LED (Tj=25°C)
wattage (350mA)	colour	weight	code		K - ϕ lm 350mA - CRI
LED	s. silver	5.90	422372-00	29	4000K - 4970lm - CRI>70
LED	graphite	5.90	422373-00		
LED	s. silver	5.90	422370-00	40	4000K - 6960lm - CRI>70
LED	graphite	5.90	422371-00		

On request: possibility to control each individual light point (see table on p. XVII).



Equipment: temperature control device. In the event of an unexpected LED temperature rise caused by particular weather conditions or a LED failure, the system will reduce the luminous flux to lower the working temperature and guarantee proper operation.



LED: Clima LED is equipped with 42 latest generation LED modules with 130°x70° degrees lens to obtain an elevated lighting yield. Power factor ≥ 0.9 . Luminous flux maintenance 80%: 80.000h (L80B20).

1518 Clima - anti-light pollution					
		CLD CELL		W	LED (Tj=25°C)
wattage (350mA)	colour	weight	code		K - ϕ lm 350mA - CRI
LED	s. silver	5.90	422380-00	40	4000K - 6960lm - CRI>70
LED	graphite	5.90	422381-00		

On request: possibility to control each individual light point (see table on p. XVII).