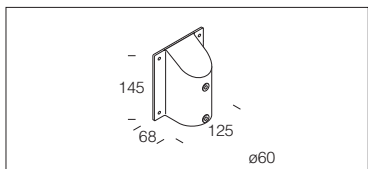
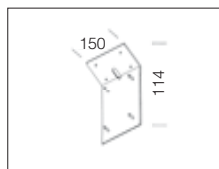


**Housing/frame:** in die-cast aluminium.  
**Reflector:** in high-grade 99.85 aluminium.  
**Diffuser:** tempered glass, resistant to impact and thermal shock.  
**LED:** 10W = 60 INC, 15.000 hours

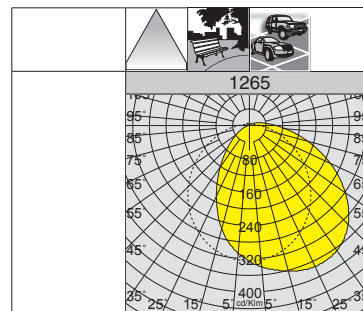
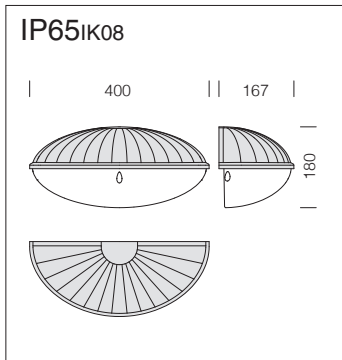
1757 Lord					
		CLD S+L			LED (Tj=25°C)
wattage	colour	weight	code	W	K - ølm - CRI
LED	white	3.50	421180-00	10	3000K - 860lm - CRI≥80
LED	graphite	3.50	421181-00		
LED	white	3.50	421182-00	20	4000K - 2000lm - CRI≥70
LED	graphite	3.50	421183-00		



**acc. 89 pole attachment Ø 60**  
 graphite 991214-00  
 Die-cast aluminium painted by cationic electrocoating. Adapter for attachment Lord on Ø 60 pole.



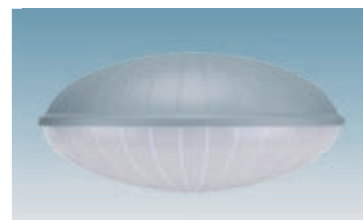
**acc. 85 plate angled at 45°**  
 graphite 991210-00  
 Made of steel. To install art. Wall mounted Lord with the front glass parallel to the ground.



**Housing:** in UV-stabilised engineering plastic.

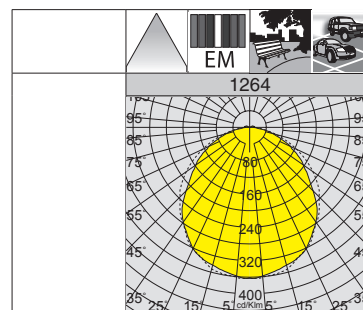
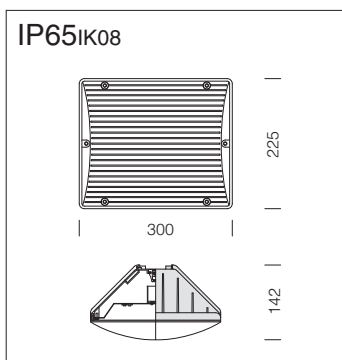
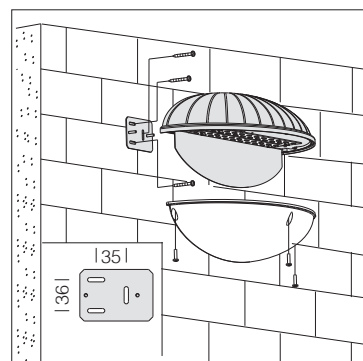
**Reflector:** in pre-anodised aluminium.

**Diffuser:** in polycarbonate opal, shatterproof and self-extinguishing, UV-stabilised



1265 Orione					
		CLD CELL		W	LED (T <sub>j</sub> =25°C)
wattage (350mA)	colour	weight	code	17	K - ølm 350mA - CRI
LED	graphite	1.50	420672-00		4000K - 2000lm - CRI≥80
LED	s. silver	1.50	420673-00		

LED: Luminous flux maintenance 80%: 50.000h (L80B20).



**Housing:** in nylon UV-stabilised.

**Reflector:** hammered aluminium.

**Diffuser:** anti-glare, vandal resistant, V2 self-extinguishing, UV-stabilised matt polycarbonate.



1264 Vega						
		CLD CELL		CLD CELL-E	W	LED (T <sub>j</sub> =25°C)
wattage (350mA)	colour	weight	code	code	20	K - ølm 350mA - CRI
LED	black	1.50	420665-00	420665-07		4000K - 2000lm - CRI 70
LED	s. silver	1.50	420666-00	420666-07		4000K - 2000lm - CRI 70
LED	black	1.50	420669-00		35	4000K - 4000lm - CRI 70

acc. 1266 joint	
black	420915-00
s. silver	420916-00

1-lamp adjustable support in nylon. For Ø 60 poles.

