

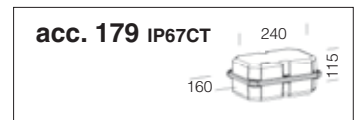
Housing: vandal resistant fibre-glass nylon.

Diffuser: impact and thermal shock resistant tempered glass.

1618 Mini - wall version					
		CLD S+L		LED (Tj=25°C)	
wattage (24V)	colour	weight	code	W	K - ølm 24V - CRI
LED	s. silver	0.10	530674-00	0,6	4000K - 30lm CRI≥80

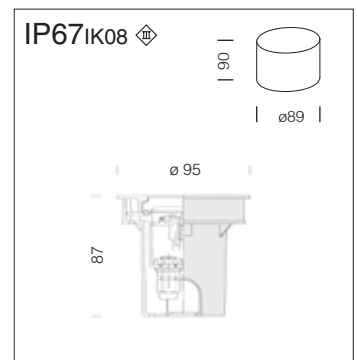
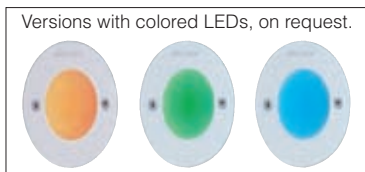
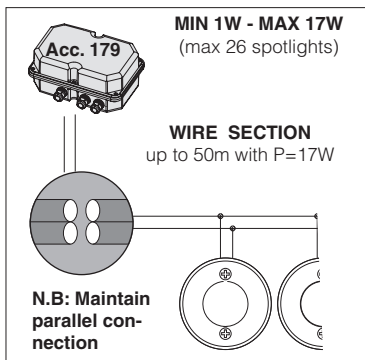
Code	VOLTAGE in	CURRENT V _{DC} out	min. no. spotlig.	max no. spotlig.	W tot.
997660-00	220-240V 50/60Hz	24V	1	26	17

Transformer, code 997660, **should be purchased if the luminaire is used without a watertight box.**



Code	VOLTAGE in	CURRENT V _{DC} out	min. no. spotlig.	max no. spotlig.	W tot.
997663-00	220-240V 50/60Hz	24V	1	26	17

Waterproof box containing the ballast.



Housing: vandal resistant fibre-glass nylon.

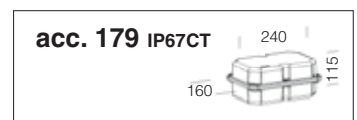
Frame: die-cast aluminium

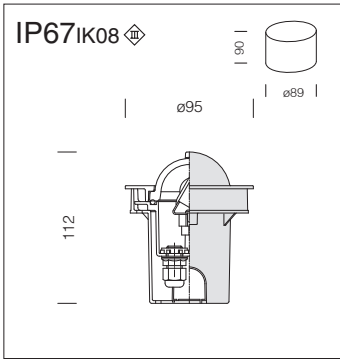
Diffuser: impact and thermal shock resistant tempered glass.

1622 Starled - wall and floor version								
		CLD S+L		temperature and load				LED (Tj=25°C)
wattage 24V	colour	weight	code	Max T. on glass ta 25°	max kg load	can be walked on	can bear vehicle loads	W
LED	s. silver	0.25	530690-00	30°	2000	OK	OK	0,6
LED	graphite	0.25	530691-00	30°	2000	OK	OK	

Code	VOLTAGE in	CURRENT V _{DC} out	min. no. spotlig.	max no. spotlig.	W
997663-00	220-240V 50/60Hz	24V	1	26	17

Waterproof box containing the ballast.





Housing: Vandal resistant fibre-glass nylon.

Frame: in die-cast aluminium.

Diffuser: tempered glass, resistant to thermal shock and impact.



Acc. 179:
MIN 1W - MAX 17W
 (max 16 spotlights)

WIRE SECTION
 P = 17W - 1,5mm²
 max 50m

N.B: Maintain series connection

Versions with colored LEDs, on request.

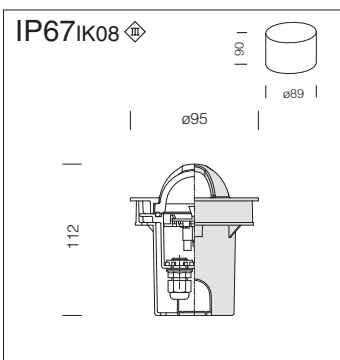


1637 Starled - wall eyelid screen version					
		CLD S+L		LED (T _j =25°C)	
wattage (350mA)	colour	weight	code	W	K - ølm 350mA - CRI
LED	s. silver	0.25	530770-00	1	4000K - 140lm - CRI 75
LED	graphite	0.25	530771-00		
LED	corten	0.25	530770-2191		



Code	VOLTAGE in	CURRENT V _{DC} out	min. no. spotlig.	max no. spotlig.	W tot.
997665-00	220-240V 50/60Hz	350mA	1	16	17

Waterproof box containing the ballast.



Housing: Vandal resistant fibre-glass nylon.

Frame: in die-cast aluminium.

Diffuser: tempered glass, resistant to thermal shock and impact.



Acc. 179:
MIN 1W - MAX 17W
 (max 16 spotlights)

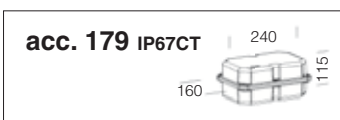
WIRE SECTION
 P = 17W - 1,5mm²
 max 50m

N.B: Maintain series connection

Versions with colored LEDs, on request.



1638 Starled - wall/floor cross eyelid version									
		CLD S+L		temperature and load				LED (T _j =25°C)	
wattage (350mA)	colour	weight	code	Max T. on glass ta 25°	max kg load	can be walked on	can bear vehicle loads	W	K - ølm 350mA - CRI
LED	s. silver	0.16	530870-00	30°	2000	OK	OK	1	4000K - 140lm - CRI 75
LED	graphite	0.16	530871-00	30°	2000	OK	OK		



Code	VOLTAGE in	CURRENT V _{DC} out	min. no. spotlig.	max no. spotlig.	W
997665-00	220-240V 50/60Hz	350mA	1	16	17

Waterproof box containing the ballast.