

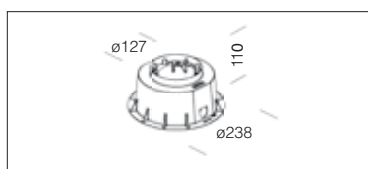
IP67IK08

Housing: in fibreglass aluminium and stainless steel AISI 316L frame.

Diffuser: in tempered glass, resistant to thermal shock and impacts.

1661 Microfloor - LED 230V									
		CLD CELL		temperature and load				LED (T _j =25°C)	
wattage (230V)	colour	weight	code	Max T. on glass ta 25°	max kg load	can be walked on	can bear vehicle loads	W	κ - ølm 230V
LED	s. steel	0.40	530816-00	30°	2000	OK	OK	0,6	4000K - 30lm

Complete with power supply.



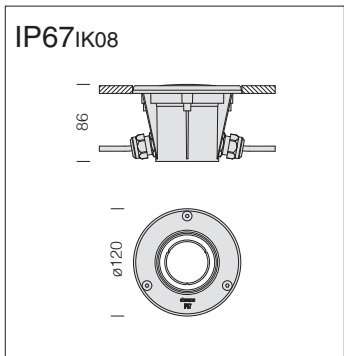
acc. 313 - outer shell
993925-00

To install Microfloor into the ground.



acc. 314 - chassis
993926-00

To install Microfloor on the wall.

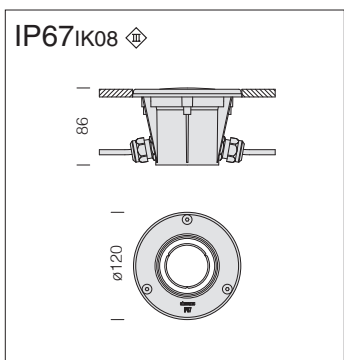


Housing: in fibreglass aluminium and stainless steel AISI 316L frame.

Diffuser: in tempered glass, resistant to thermal shock and impacts.

1670 Microfloor - LED - 230V									
		CLD S+L		temperature and load				LED (Tj=25°C)	
wattage (230V)	colour	weight	code	T. max ta 25°	max load kg	can be walked on	can bear vehicle loads	W	K - lm - degrees - CRI
LED	s. steel	0.40	530710-00	35°	2.000	OK	OK	6	3000K - 600lm - 38° - CRI 80

Operating voltage 220-240V/50-60HZ, not require power supplies.



Acc. 179
MIN 1W - MAX 17W
(max 26 spotlights)

WIRE SECTION
up to 50m with P=17W

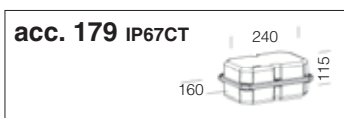
N.B: Maintain parallel connection

On request: different colour version.

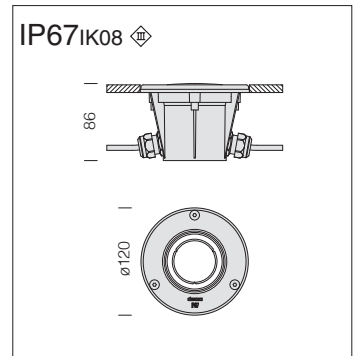
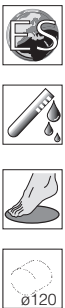
Housing: in fibreglass aluminium and stainless steel AISI 316L frame.

Diffuser: in tempered glass, resistant to thermal shock and impacts.

1650 Microfloor									
		CLD S+L		temperature and load				LED (Tj=25°C)	
wattage 24V	colour	weight	code	T. max on glass ta 15°	max kg load	can be walked on	can bear vehicle loads	W	K - ølm 24V
LED	s. steel	0.40	530810-00	30°	2000	OK	OK	0,6	4000K - 30lm



CODE	VOLTAGE in	CURRENT V _{DC} out	min. no. spotlig.	max. no. spotlig.	W
997663-00	220-240V 50/60Hz	24V	1	26	17
Waterproof box containing the ballast.					
997660-00	220-240V 50/60Hz	24V	1	26	17
Transformer, code 997660, should be purchased if the luminaire is used without a watertight box.					



Housing: in fibreglass aluminium and stainless steel AISI 316L frame.

Diffuser: in tempered glass, resistant to thermal shock and impacts.

1634 Microfloor - wide beam									
		CLD S+L		temperature and load				LED (Tj=25°C)	
wattage (350mA)	colour	weight	code	T. max on glass ta 25°	max kg load	can be walked on	can bear vehicle loads	W	K - ølm - degrees - CRI
LED	s. steel	0.40	530817-00	30°	2000	OK	OK	3	4000K - 520lm - 120° - CRI 80

LED: Luminous flux maintenance 70% 50000h (L70B50). Power factor ≥0.95.

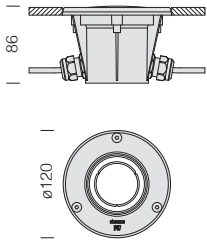
1634 Microfloor - medium beam									
		CLD S+L		temperature and load				LED (Tj=25°C)	
wattage	colour	weight	code	T. max on glass ta 25°	max kg load	can be walked on	can bear vehicle loads	W	K - ølm - degrees - CRI
LED	s. steel	0.40	530815-00	40°	2000	OK	OK	3,8	4000K - 520lm - 25° - CRI 70

LED: Luminous flux maintenance 70% 50000h (L70B50). Power factor ≥0.95. **On request:** 39° - 57°.° beam angle.

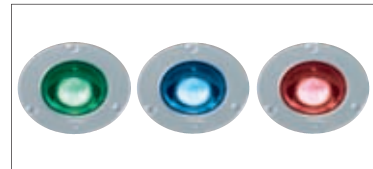
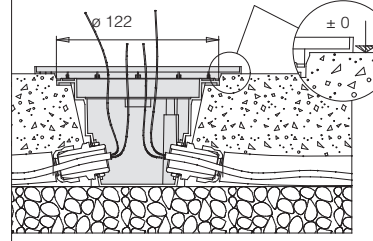


CODE	VOLTAGE in	CURRENT V _{DC} out	Microfloor 1634	min. no. spotlig.	max no. spotlight.
997665-00	220-240V 50/60Hz	350mA	530817-00	1	5
			530815-00	1	4

IP67IK08



It is advised to install Starled according to the following information.



Housing: fibreglass nylon with stainless steel AISI 316L frame.

Diffuser: tempered shock and heat resistant glass.

1635 Microfloor - LED Fullcolor

		S+L		temperature and load				LED (Tj=25°C)	
wattage (350mA)	colour	weight	code	T. max	max load kg	can be walked on	can bear vehicle loads	W	ølm 350mA
LED Fullcolor	s. steel	0.40	530800-00	40°	2000	ok	ok	4,5	105lm

The system offers the possibility to adjust the light beam. LED Fullcolor: small light source with multi-colour optics allowing excellent colour mixing performance.

acc. 314 - chassis

993926-00

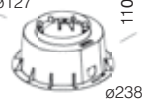
To install Microfloor on the wall.



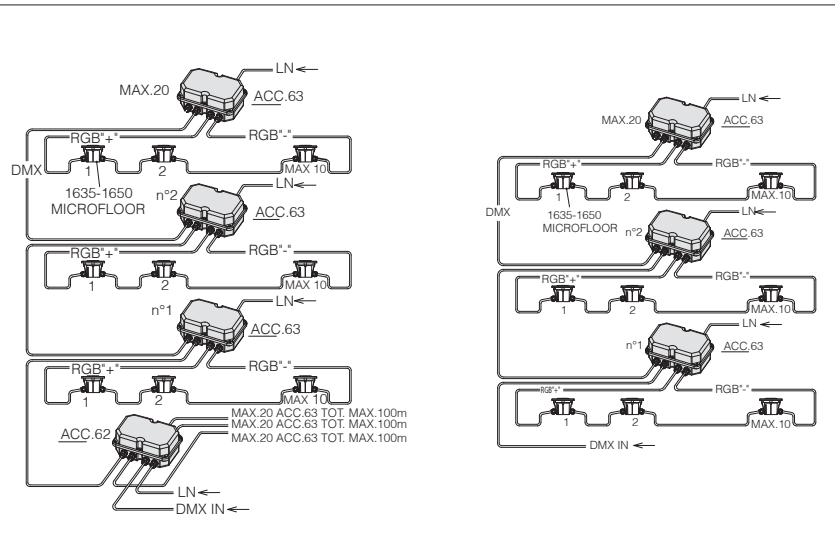
acc. 313 outer shell

993925-00

To install Microfloor into the ground.



Example of installation



DMX Controller

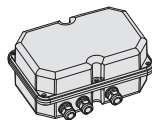
white 986562-00

DMX controller with internal memory (stand-alone function). It enables to operate DMX interfaces and integrated DMX controlled lighting fixtures. Option to save settings internally. PC connection through USB port during the programming phase through a dedicated software (included in the kit).

acc. 61 Waterproof box IP 67

7W/channel 986512-00

Waterproof box IP67, supplied with power supply and control module. One box is recommended for use with up to 5 Microfloor/Fullcolor lamps, 7W/channel. Connection for up to 19 Slave devices.



Acc. 62 DMX signal regenerator

20W 986513-00

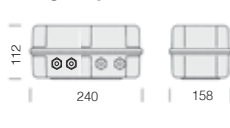
DMX signal regenerator in waterproof gear box with 24V, 20W power supply. Supplied with in-out wire connection (one going in, four going out) to DMX terminal. To be used after 20 acc. 61 or distance greater than 200mt.

acc. 63 LED Fullcolor power supply and DMX interface

60W 986511-00

IP67 box with 48V 60W power supply for LED - max 9 Microfloor Fullcolor. Supplied with electronic card and controller / DMX interface

IP67IK07



acc. 65 Remote control LED Fullcolor

black 986507-00

On-Off function, mixing and colour transition.

DOP Controller

986563-00

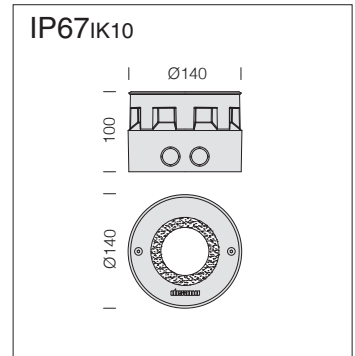
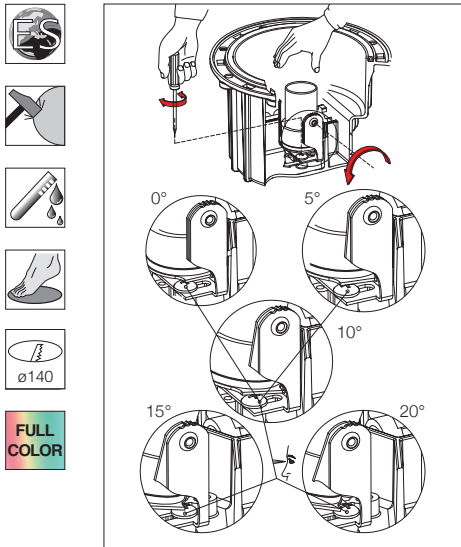
Is a powerful one-button DMX controller that lets you set dim level, colour and show for LED drivers and DMX compatible luminaires.

- USITT DMX512A compatible
- One-button on-off/dimming/colour/show control
- Operating supply voltage range: 12V-32V DC
- DIP switches for configuration, accessible after mounting
- External switch interface allows remote show selection
- All settings saved to memory when light is switched off or when a power glitch occurs
- Front indicator LED for local show (speed), colour and dim level feedback

IP65 box for DMX control

white 986557-00

DMX controller with internal memory IP 65 VERSION (stand-alone function). It enables to operate DMX interfaces and integrated DMX controlled lighting fixtures. Option to save settings internally. PC connection through USB port during the programming phase using a dedicated software (included in the kit).



IP67IK10

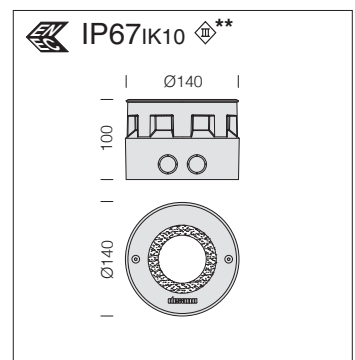
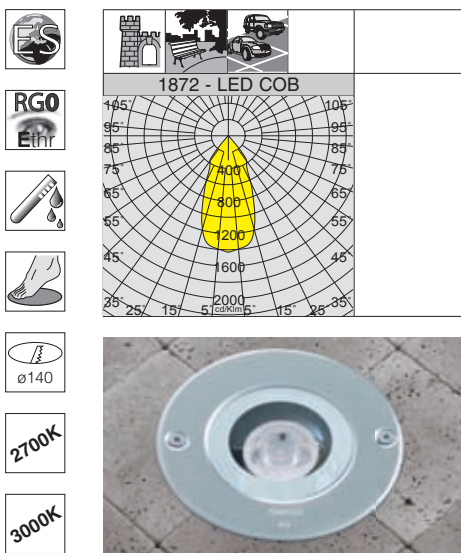
Housing: made in die-cast aluminum with stainless steel AISI 316L frame.

Diffuser: tempered shock and heat resistant glass.

(*) drive-over fixture for **restricted traffic areas**.

1871 Midifloor - adjustable - LED Fullcolor									
		S+L		temperature and load				LED (Tj=25°C)	
wattage (350mA)	colour	weight	code	T. max on glass	max load kg	can be walked on	can bear vehicle loads (*)	W	ølm 350mA
LED Fullcolor	s. steel	0.50	530790-00	40°	3000	ok	ok	4,5	105lm

The system offers the possibility to adjust the light beam. LED Fullcolor: small light source with multi-colour optics allowing excellent colour mixing performance. not suited for underwater installation



IP67IK10 ⚡**

Housing: made in die-cast aluminum with stainless steel AISI 316L frame.

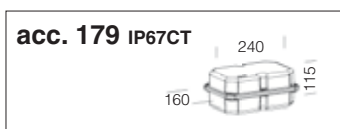
Diffuser: tempered shock and heat resistant glass.

(*) drive-over fixture for **restricted traffic areas**.

1872 Midifloor - adjustable									
		CLD S+L		temperature and load				LED (Tp=25°C)	
wattage	colour	weight	code	T. max on glass	max load kg	can be walked on	can bear vehicle loads (*)	W	K - ølm - degrees - CRI
LED COB GU10 (230V)	s. steel	0.50	530791-00	45°	3000	OK	OK	6	3000K - 600lm - 38° - CRI 80
LED **	s. steel	0.50	530792-00	45°	3000	OK	OK	4	2700K - 700cd - 25° - CRI≥80

1872 Midifloor - COB									
		CLD S+L		temperature and load				LED (Tp=25°C)	
wattage (350mA)	colour	weight	code	T. max on glass	max load kg	can be walked on	can bear vehicle loads (*)	W	K - ølm - degrees - CRI
LED COB **	s. steel	0.50	530793-00	40°	3000	OK	OK	13	3000K - 1600lm - 46° - CRI 90

530793-00: version does not adjustable.

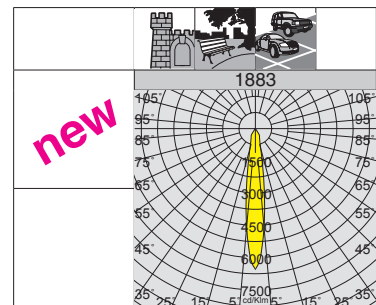
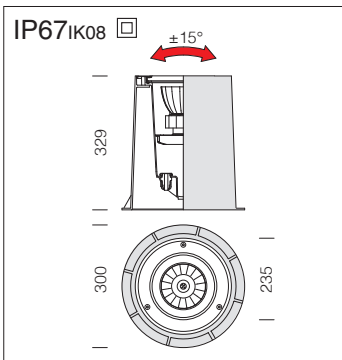


Code	VOLTAGE in	CURRENT V _{DC} out	min. no. spotlig.	max no. spotlig.
997661-00	220-240V 50/60Hz	530792-00	1	7
997666-00	220-240V 50/60Hz	530793-00	1	3

Waterproof box containing the ballast.



RESIDENTIAL AMENITIES

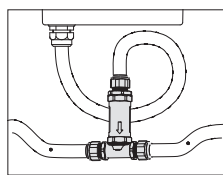


-
-
-
-
-
-
-
-
-
-

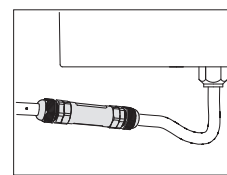
Housing: made in die-cast aluminum with stainless steel AISI 316L frame.
Diffuser: impact and thermal shock resistant tempered glass.
LED: Luminous flux maintenance 80% 50.000h (L80B20). Power factor ≥0.95.

1883 Minifloor - adjustable									
		CLD CELL		temperature and load				LED (Tp=25°C)	
wattage (350mA)	colour	weight	code	T. max on glass ta 15°	max load kg	can be walked on	can bear vehicle loads	W	K - ølm 350mA - degrees - CRI
LED COB	s. steel	5.10	530785-00	25°	2000	OK	OK	13	3000K - 1600lm - 15° - CRI 90
LED COB	s. steel	5.10	530786-00	25°	2000	OK	OK		4000K - 1700lm - 15° - CRI 90
LED COB AMBER	s. steel	5.10	530785-73	25°	2000	OK	OK	12	2200K - 1950lm - 15° - AMBER

On request: version with IP68 protection with gel watertight system at the bottom of the fixture (not suited for underwater installation) -0093.



acc. 399 - Conn. for continuous line
 993837-00
 Connector for solid line to be used with acc 369 for continuous lines.



acc. 369 - Connector
 993838-00
 To be used for continuous lines and to achieve waterproof connection.