



Highly flexible in use, Super provides maximum freedom to design lighting systems of any shape and structure. With few fastenings to be used, installation procedures are extremely easy and time saving.

Housing: in hot-dip galvanised rolled steel, with rounded profile to eliminate sharp edges.

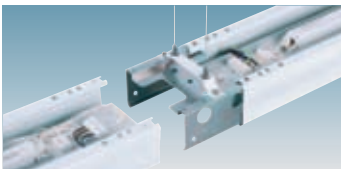
Reflector: satin aluminium. Not suitable for installation on ceiling

Coating: stove pre-enamelled with white polyester resin, UV-stabilized, upon phosphate treatment.

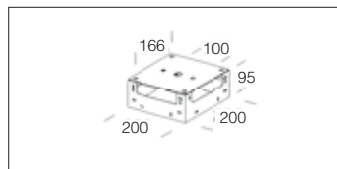
Standard supply: provision for the installation of power cable trunking (auxiliary services).

LED: Power factor ≥ 0.9
Luminous flux maintenance 80%
50.000h (L80B20)
Photobiological safety class:
Exempt group.

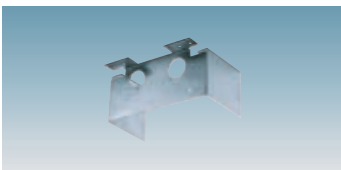
Accessories Super



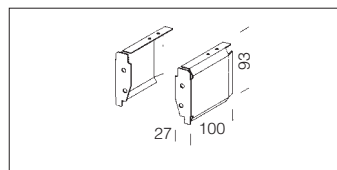
acc. 1925 linear joint	
galvanized	994649-00
Made of galvanized steel . For suspension, continuous line or jointing of two fixtures, or used with acc. 1919 for "T" and cross jointing.	



acc. 1911 cube	
white	994641-00
Made of steel. For joining of up to 4 fixtures. Supplied with two end caps. To be used with acc. 1914.	



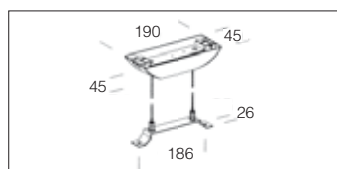
acc. 1919 angle joint	
galvanized	994638-00
Made of galvanized steel . For angle and T jointing.	



acc. 1914 connecting bracket	
galvanized	994637-00
Made of galvanized steel . To be used with the cube acc. 1911. 2 per pack.	



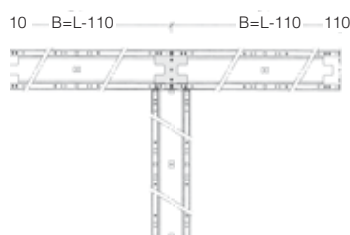
acc. 1924 end cap	
white	994636-00
Made of white ABS. To be used as an end cap on modules when using acc. 1919/1925. 2 per pack.	



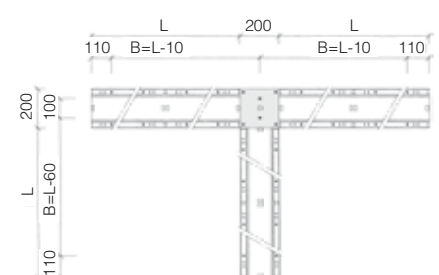
acc. 1916 plain suspension	
white	994646-00
Nylon cover with steel brackets. Supplied with steel wire (l=2.5 m) with millimeter adjustment device.	

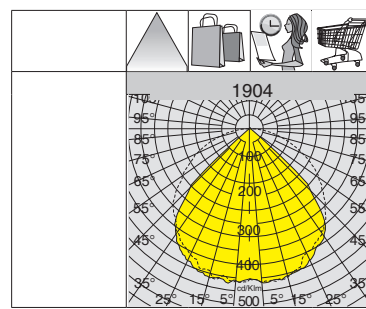
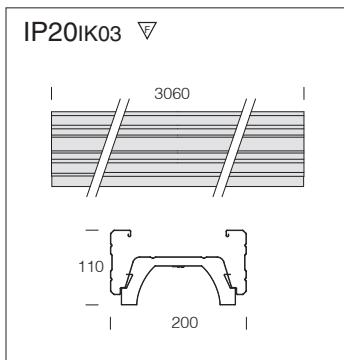
Super's great flexibility permits maximum freedom in designing any shape and layout.

Since it requires only a few mounting points, it is extremely easy and rapid to install providing excellent time savings.



B = Spacing for suspensions
L = Length of modules



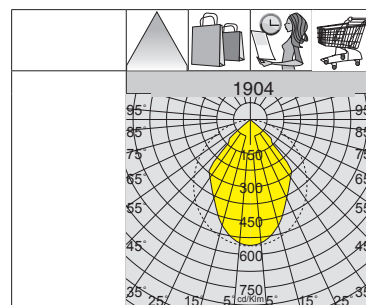
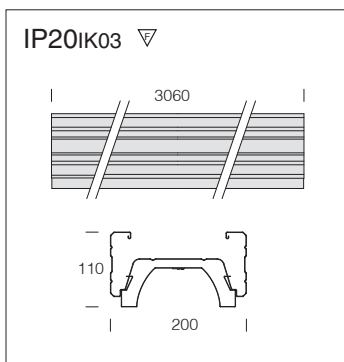


LED Wattage (W)	Total power consumption (W)
56	61

1904 Super - LED 1x					
		CLD CELL		LED (Tj=25°C)	
wattage (116mA)	colour	weight	code	W	K - ølm 116mA - CRI
LED 1x	white	9.00	124340-00	56	4000K - 8650lm - CRI≥80
LED 1x	white	9.00	124340-39		3000K - 8030lm - CRI≥80

On request: DIMM 1-10V or DALI versions.

-
-
-
- 3000K**
- 4000K**



LED Wattage (W)	Total power consumption (W)
85	93

1904 Super - LED 2x					
		CLD CELL		LED (Tj=25°C)	
wattage (87mA)	colour	weight	code	W	K - ølm 87mA - CRI
LED 2x	white	9.00	124341-00	85	3000K - 12430lm - CRI≥80
LED 2x	white	9.00	124342-00		4000K - 13300lm - CRI≥80

-
-
-
- 3000K**
- 4000K**

SUSPENSION